



# FLOAT

OWNER'S  
MANUAL

## **TABLE OF CONTENTS**

ENGLISH	<b>3</b>
FRANÇAIS	<b>11</b>
ITALIANO	<b>19</b>
DEUTSCH	<b>27</b>
ESPAÑOL	<b>35</b>
PORTUGUÊS	<b>43</b>
中文	<b>51</b>

## CONGRATULATIONS!

Thank you for choosing a FOX suspension product for your bicycle. FOX suspension products are designed and tested by the finest professionals in the industry, in Santa Cruz County, California, USA.

Follow the guidelines and instructions provided in this owner's guide, so that you are able to properly set up, use, and maintain your new FOX product.

More information and videos are available at <http://www.ridefox.com/OwnersManuals>, or call FOX US at 1.800.369.7469, email [mtbservice@ridefox.com](mailto:mtbservice@ridefox.com), or contact an Authorized International FOX Service Center at <http://www.ridefox.com/GlobalDistributors>. If access to the Internet is not available to you, contact FOX to order a paper copy of the online FOX owner's manual for your product, free of charge.

### WARNING AND SAFETY INFORMATION

FOX products should be installed by a professional bicycle service technician, in accordance with FOX installation specifications. Improperly installed forks can fail, causing the rider to lose control resulting in SEVERE INJURY OR DEATH.

Modification or alteration of a FOX product can cause product failure resulting in SEVERE INJURY OR DEATH. Never modify or alter ANY part of a FOX product (including coil springs, lower leg cross brace, crown, steerer, upper tubes, lower leg, air can, seat post, air volume spacers, internals, axle slit shims, axle adapters, or any other parts).

FOX bicycle suspension products may also be used on pedal-assisted motorized cycles or motorized vehicles that produce up to 250 watts of power. DO NOT use FOX Bicycle suspension products on vehicles that produce more than 250 watts of power.

FOX E-BIKE OPTIMIZED suspension products may be used on motorized cycles or motorized vehicles producing between 250-500 watts of power. DO NOT use any FOX bicycle suspension product on any pedal-assisted motorized cycle or motorized vehicle that produces more than 500 watts of power.

DO NOT use any FOX bicycle suspension products or FOX E-BIKE OPTIMIZED suspension products on any pedal-assisted motorized cycle or motorized vehicle that produces more than 500 watts of power. DO NOT use any FOX bicycle suspension product on any throttle-equipped motorized vehicle.

Misuse of FOX suspension products may cause the suspension to fail, resulting in property damage or SERIOUS INJURY OR DEATH, and void the warranty.

DO NOT use FOX bicycle suspension products on any vehicle carrying more than one operator or rider, such as a tandem bicycle or heavy utility bicycle.

Improper service, or use of non-FOX replacement parts with FOX forks and shocks may cause the product to malfunction, resulting in SEVERE INJURY OR DEATH.

Never use a power washer to clean your FOX product.

Follow your brake manufacturer's installation instructions for proper installation and adjustment of the brake system. Failure to properly install and adjust your brakes can lead to a loss of control of the bicycle, which can result in SEVERE INJURY OR DEATH.

Modification or alteration of your frame in a way that affects the rear shock may cause product failure resulting in SEVERE INJURY OR DEATH. Never modify, or alter ANY part of your OEM frame components that actuate the rear shock (including yokes, strut mounting components, or rocker links).

Use of aftermarket frame parts that affect the rear shock (not tested and approved by the OE frame manufacturer) may cause the product to malfunction, resulting in SERIOUS INJURY OR DEATH.

Your fork or shock may fail under conditions that cause bending and/or breaking to any part of the fork or shock. Any condition that causes a loss of air and/or oil, such as a collision or extended periods of non-use, may also cause your fork or shock to fail. A damaged and/or leaking fork or shock can fail, resulting in a crash and SEVERE INJURY OR DEATH. If you suspect your fork or shock has been damaged, stop riding immediately and contact FOX for inspection and repair.

Never attempt to pull apart, open, disassemble, or service a FOX shock that is in a "stuck down" condition. A "stuck down" condition results from a failure of the dynamic air seal (located between the positive and negative air chambers within the non-EVOL shock air sleeve), resulting with the negative chamber retaining a higher pressure than the positive chamber. To test whether the shock is in fact "stuck down":

- Remove the air cap and depress the Schrader valve, to completely release air pressure from the positive chamber of the shock.
- If the shock body retracts into the air sleeve near bottom-out after the air is released from the positive chamber, attach a FOX high-pressure pump and pressurize the shock to 250 psi (17 bar).
- If the shock does not fully extend, it is in a "stuck down" condition.
- Any attempt to service FOX air shocks in the "stuck down" condition can lead to SERIOUS INJURY OR DEATH. Contact FOX or an Authorized Service Center for repair.

## REAR SHOCK INSTALLATION

### WARNING

Rear shock setup and configuration varies greatly between different bicycle manufacturers. Be sure to refer to the owner's manual for your bicycle. FOX products should be installed by a qualified bicycle service technician, in accordance with FOX installation specifications. Improperly installed shocks can fail, causing the rider to lose control, resulting in **SERIOUS INJURY OR DEATH**.

If you are installing your shock on a bike for which the shock was not original equipment, follow the steps below to ensure proper clearance before riding.

### AIR SHOCKS

1. Install the shock onto your frame according to your frame manufacturer's instructions.
2. Remove the air cap, attach a shock pump, then **SLOWLY** release all air out of the main air chamber.
3. Slowly compress the suspension through its entire travel.
4. Check that the shock does **NOT** contact any portion of your frame or linkage as it cycles through its travel.
5. Set the sag according to instructions online at [www.ridefox.com](http://www.ridefox.com).

### Minimum air pressure is:

50 psi for all air shocks.

Pressure measured at an ambient temperature of 70-75° F. Normal operating temperature range for FOX products is 20-140° F.

### SAG SETTING

To achieve the best performance from your FOX suspension, adjust the air pressure to attain your proper sag setting. Sag is the amount your suspension compresses under your weight and riding gear. Sag range should be set to 25-30% of total shock travel.

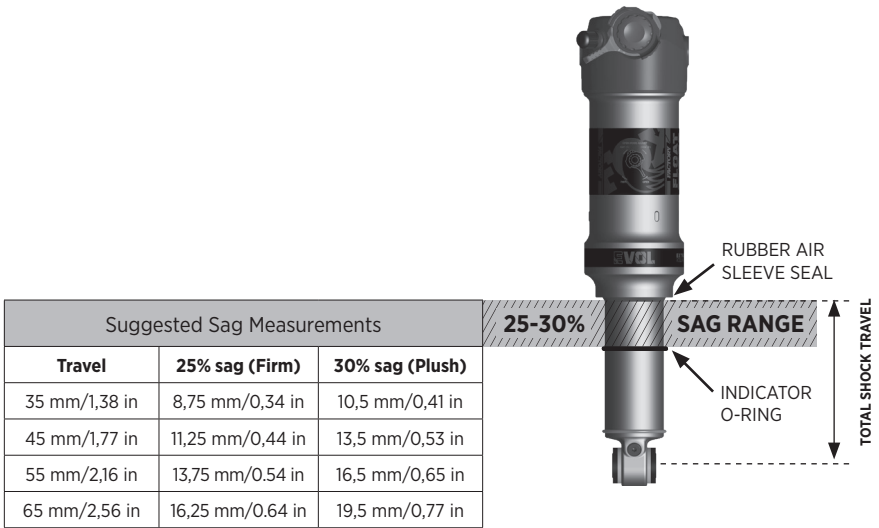
Watch the sag setup video at [ridefox.com/sagsetup](http://ridefox.com/sagsetup).

1. Turn the compression adjuster fully counter-clockwise and set the 2-position lever to the Open mode if present
2. Start by setting the shock air pressure (psi) to match your weight in pounds. With the air pump attached to the shock valve, slowly cycle your shock through 25% of its travel 10 times as you reach your desired pressure. This will equalize the positive and negative air chambers and will change the pressure on the pump gauge.

### WARNING

Do not exceed maximum air pressure: FLOAT air shocks have a maximum air pressure of 350 psi.

3. Remove the pump.
4. Sit still on the bike in your normal riding position, using a wall or a tree for support.
5. Pull the sag indicator o-ring up against the rubber air sleeve seal.
6. Carefully dismount the bike without bouncing.
7. Measure the distance between the sag indicator o-ring and the rubber air sleeve seal. Compare your measurement to the 'Suggested Sag Measurements' table.
8. Add or remove air pressure until you reach your desired sag measurement.



**EVOL AIR SLEEVE**

EVOL comes factory installed on FLOAT shocks.

**ADDING AIR PRESSURE**

Equalize the positive and negative air chambers by slowly compressing the shock through 25% of its travel 10-20 times after every 50 psi addition.

Failure to equalize the chambers can result in greater pressure in the positive air chamber than the negative chamber. If the shock feels very stiff and is in the topout position, compress the shock until you hear or feel air transfer. Hold the shock in this compressed position for a few seconds.

**RELEASING AIR PRESSURE**

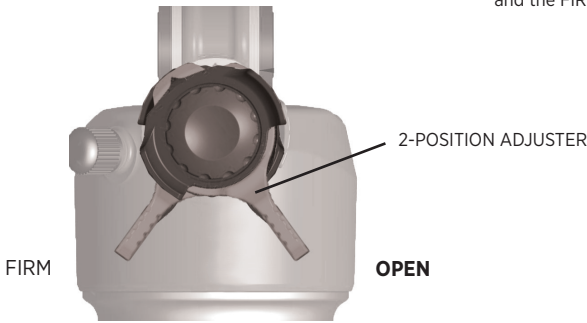
Release air slowly so the air from the negative chamber can also be released through the Schrader valve.

Releasing the air pressure too quickly can cause the negative chamber to have more pressure than the positive chamber. If the shock is compressed into its travel and does not fully extend, add air pressure until the shock extends, then slowly compress the shock through 25% of its travel 10-20 times.

## COMPRESSION ADJUSTMENTS

### 2-POSITION LEVER

Begin with the 2-position lever in the OPEN mode.



The **2-position** lever is useful to make on-the-fly adjustments to control shock performance under significant changes in terrain, and is intended to be adjusted throughout the ride.

Use the OPEN mode during rough descending and the FIRM mode for smooth climbing.

### OPEN MODE ADJUST

Set the open mode adjust to setting 1.



**Open mode adjust** is useful to control shock performance during rider weight shifts, G-outs, and slow inputs.

Open mode adjust provides 3 additional fine tuning adjustments for the OPEN mode.

Lift the open mode adjuster, rotate it to the 1, 2, or 3 position, and press it in to lock the position.

It is recommended to make these adjustments with the 3-position lever in the Medium or Firm mode.

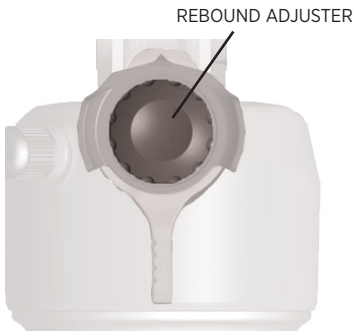
Setting 1 will have a more plush feel and setting 3 will have a firmer feel.

\*Factory Series and Performance Elite Series shocks only

## REBOUND ADJUSTMENT

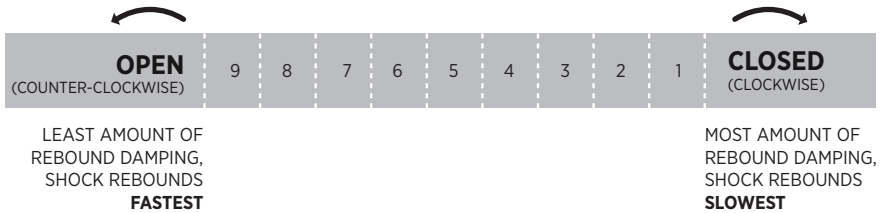
The rebound adjustment is dependent on the air pressure setting. For example, higher air pressures require slower rebound settings. Use your air pressure to find your rebound setting.

**Turn your rebound knob to the closed position (full clockwise) until it stops. Then back it out (counter-clockwise) to the number of clicks shown in the table below.**



**Rebound** controls the rate of speed at which the shock extends after compressing.

Air Pressure (psi/bar)	Starting Rebound Setting
<100 / <6,9	10
100-120 / 6,9-8,3	10
120-140 / 8,3-9,7	9
140-160 / 9,7-11	8
160-180 / 11-12,4	7
180-200 / 12,4-13,8	6
200-220 / 13,8-15,2	5
220-240 / 15,2-16,5	4
240-260 / 16,5-17,9	3
260-280 / 17,9-19,3	2
280-300 / 19,3-20,7	1



## **REMOTE INSTALLATION**

### **REAR SHOCKS**

The remote can either be installed under the handlebar on the non-drive side, where a front shifter would typically be placed, or installed above the handlebar on the drive side. The remote can be used with two cables to control both the fork and shock simultaneously.

1. Route the cable housing from the remote lever to the rear shock cable stop and cut to length. Install ferrules on both ends.
2. Set the remote lever to OPEN mode by pushing the release lever. Make sure that the cable head is completely seated in the remote lever.
3. Use a short piece of housing with one ferrule between the in-line barrel adjuster and the remote lever body.
4. With all cable housing fully seated and no slack in the system, lightly lubricate the inner cable and thread it through the cable housing and the small hole in the blue remote pulley. Do not turn the flush mounted set screw that attaches the blue remote pulley to the shock! The cable pinch bolt is located in the protruding portion of the blue remote pulley.
5. While holding the cable tight, tighten the pinch bolt, cut off excess cable, and crimp the end.

## **ADDITIONAL TUNING OPTIONS**

### **VOLUME SPACERS**

Changing volume spacers in the shock is an internal adjustment that allows you to change the amount of mid stroke and bottom out resistance.

If you have set your sag correctly and are using full travel (bottoming out) too easily, then you could install a larger spacer to increase bottom out resistance.

If you have set your sag correctly and are not using full travel, then you could install a smaller spacer to decrease bottom out resistance.

Installation procedure and tuning options are available online at: [ridefox.com/ownersmanuals](http://ridefox.com/ownersmanuals).



## SERVICE

Properly cleaning your FOX product between rides, in addition to maintenance service scheduled at regular intervals, will help to reduce repair costs and extend product life.

For further service procedures information, visit [www.ridefox.com/OwnersManuals](http://www.ridefox.com/OwnersManuals), or contact FOX for complete maintenance service (1.800.369.7469 or [mtbservice@ridefox.com](mailto:mtbservice@ridefox.com)).

Minimum Recommended Service Items	Before every ride	After every ride	Regularly	Every 125 hours or yearly, whichever comes first*
Inspect the entire exterior of your fork/shock. The fork/shock should not be used if any of the exterior parts appear to be damaged. Contact your local dealer or FOX for repair.	X			
Clean exterior with mild soap and water only, then wipe dry with a soft towel. Do not use a high-pressure washer or spray water directly at the seal/shock body junction.		X		
Check sag and damper settings. Inspect the controls for visual damage and function.			X	
Full service (full internal/external inspection, damper rebuild, air seal replacement for air shocks, air spring rebuild, bath oil and wiper replacement).				X

\*For those who ride lift-accessed DH, Park, or Extreme Freeride or in extremely wet/muddy or dry/dusty environmental conditions where trail debris is sprayed onto the shock while on the trail, FOX encourages riders to perform maintenance earlier than recommended above as needed. If you hear, see, or feel something unusual, stop riding immediately and contact a FOX Authorized Service Center for proper servicing.

## SEE ADDITIONAL INFORMATION AND VIDEOS:

[ridefox.com](http://ridefox.com)

FOX makes the following LIMITED WARRANTY with respect to its suspension products:

#### FOX LIMITED WARRANTY

#### LIMITED ONE (1) YEAR WARRANTY ON SUSPENSION PRODUCTS

Subject to the limitations, terms and conditions hereof, FOX warrants, to the original retail owner (consumer) of each new FOX suspension product, that the FOX suspension product, when new, is free from defects in materials and workmanship. This limited warranty expires one (1) year from the date of the original FOX suspension product retail purchase from an authorized FOX dealer or from a FOX authorized Original Equipment Manufacturer where FOX suspension is included as original equipment on a purchased vehicle.

#### TERMS OF WARRANTY

This limited warranty is conditioned on the FOX suspension product being operated under normal conditions and properly maintained as specified by FOX. This limited warranty is only applicable to FOX suspension purchased new from an authorized FOX source and is made only to the original retail owner (consumer) of the new FOX suspension product and is not transferable to subsequent owners.

Should it be determined, by FOX in its sole and final discretion, that a FOX suspension product is covered by this limited warranty, it will be repaired or replaced, by a comparable model, at FOX's sole option, which will be conclusive and binding. THIS IS THE EXCLUSIVE REMEDY UNDER THIS LIMITED WARRANTY. ANY AND ALL OTHER REMEDIES AND DAMAGES THAT MAY OTHERWISE BE APPLICABLE UNDER THIS LIMITED WARRANTY ARE EXCLUDED, INCLUDING, BUT NOT LIMITED TO, INCIDENTAL OR CONSEQUENTIAL DAMAGES OR PUNITIVE DAMAGES.

This limited warranty does not apply to normal wear and tear, malfunctions or failures that result from abuse, neglect, improper assembly, alteration or modification, improper or unauthorized repair or maintenance, crash, accident or collision, or other abnormal, excessive or improper use.

This limited warranty gives the consumer specific legal rights. The consumer may also have other legal rights under the applicable national laws which are not affected by this limited warranty. If it is determined by a court of competent jurisdiction that a certain provision of this limited warranty does not apply, such determination shall not affect any other provision of this limited warranty and all other provisions shall remain in effect.

THIS IS THE ONLY WARRANTY MADE BY FOX ON ITS SUSPENSION PRODUCTS AND COMPONENTS, AND THERE ARE NO WARRANTIES WHICH EXTEND BEYOND THE DESCRIPTION HEREIN. ANY WARRANTIES THAT MAY OTHERWISE BE IMPLIED BY LAW INCLUDING, BUT NOT LIMITED TO, ANY IMPLIED WARRANTY OF MERCHANTABILITY OR FITNESS FOR A PARTICULAR PURPOSE ARE EXCLUDED.

This limited warranty shall be governed exclusively by the laws of the State of California.

For questions regarding this warranty or FOX products please contact the US Customer Service Department at FOX by calling 1-800-369-7469, or visiting [www.FOX.com](http://www.FOX.com).

When making a claim under this Limited Warranty you will be required to provide to an authorized FOX Service Center:

1. The Product (or the affected part) and
2. A copy of the original proof of purchase, which clearly indicates the name and address of the seller, the date and place of purchase, the product part number and if utilized, a serial number. If FOX products are sold as part of a complete bicycle, the bicycle brand, model, model year, and serial number should be included.

## FÉLICITATIONS !

Nous vous remercions d'avoir choisi une suspension FOX pour votre vélo. Les suspensions FOX sont conçues et testées par les professionnels les plus compétents dans ces domaines, dans la région de Santa Cruz en Californie (USA).

Suivez les conseils et instructions fournis dans ce manuel technique afin d'apprendre à régler, utiliser et entretenir correctement votre nouveau composant FOX.

Pour obtenir de plus amples informations, consultez les vidéos disponibles à l'adresse <http://www.ridefox.com/OwnersManuals>, ou contactez FOX USA par téléphone au 1.800.369.7469, par e-mail à l'adresse [mbservice@ridefox.com](mailto:mbservice@ridefox.com), ou bien encore contactez un centre d'entretien agréé FOX International à l'adresse <http://www.ridefox.com/GlobalDistributors>. Si vous ne disposez pas d'un accès à Internet, contactez FOX pour demander gratuitement une version papier du manuel électronique de l'utilisateur FOX correspondant à votre produit.

## AVERTISSEMENT ET CONSIGNES DE SÉCURITÉ

Les produits FOX doivent être installés par un mécanicien vélo professionnel, conformément aux instructions d'installation de FOX. Une fourche installée de manière inappropriée peut être défaillante, ce qui peut mener à une perte de contrôle du vélo et entraîner des BLESSURES GRAVES VOIRE MORTELLES.

Toute modification ou altération des produits FOX peut entraîner leur défaillance et vous exposer à des BLESSURES GRAVES VOIRE MORTELLES. Ne tentez jamais de modifier ou d'altérer UNE pièce d'un composant FOX (comme les ressorts hélicoïdaux, l'arceau des fourreaux inférieurs, le té de la fourche, le tube pivot, les tubes supérieurs, les fourreaux inférieurs, la cartouche pneumatique, la tige de selle, les entretoises pour le volume pneumatique, les pièces internes, les rondelles pour axe, les adaptateurs pour axe ou toute autre pièce).

Les produits de suspension pour vélo FOX peuvent également être utilisés sur des cycles équipés de l'assistance motorisée au pédalage ou sur des véhicules motorisés développant jusqu'à 250 watts de puissance. N'UTILISEZ JAMAIS de produits de suspension pour vélo FOX sur des véhicules qui développent plus de 250 watts de puissance.

Les produits de suspension FOX E-BIKE OPTIMIZED peuvent être utilisés sur des cycles ou des véhicules motorisés développant une puissance comprise entre 250 et 500 watts. N'UTILISEZ JAMAIS de produits de suspension pour vélo FOX sur des cycles équipés d'une assistance motorisée au pédalage ou sur des véhicules motorisés qui développent une puissance supérieure à 500 watts.

N'UTILISEZ JAMAIS de produits de suspension pour vélo FOX ou de produits de suspension FOX E-BIKE OPTIMIZED sur des cycles équipés d'une assistance motorisée au pédalage ou sur des véhicules motorisés qui développent une puissance supérieure à 500 watts. N'UTILISEZ JAMAIS de produits de suspension pour vélo FOX sur des véhicules motorisés équipés d'un accélérateur.

Le fait d'utiliser les produits de suspension FOX de manière inappropriée peut entraîner une défaillance de la suspension, des dommages matériels ainsi que des BLESSURES GRAVES VOIRE MORTELLES. Une telle utilisation inappropriée révoque également la garantie.

N'utilisez JAMAIS les éléments de suspension pour vélo FOX sur un véhicule permettant de transporter plus d'une personne, comme par exemple des tandems ou des vélos utilitaires.

Un entretien inapproprié ou l'utilisation de pièces détachées d'autres marques pour les fourches et suspensions FOX peut provoquer un dysfonctionnement du composant et vous exposer à des BLESSURES GRAVES VOIRE MORTELLES.

Ne nettoyez jamais votre produit FOX à l'aide d'un nettoyeur haute-pression.

Pour mettre en place et régler correctement le système de freinage, suivez les instructions d'installation du fabricant de vos freins. Une installation et des réglages inappropriés des freins peuvent entraîner une perte de contrôle du vélo et provoquer des BLESSURES GRAVES VOIRE MORTELLES.

La modification ou la transformation de votre cadre de quelque manière que ce soit qui aurait des conséquences sur l'amortisseur arrière peut entraîner la défaillance du produit ainsi que des BLESSURES GRAVES VOIRE MORTELLES. Ne modifiez ou transformez jamais L'UNE des pièces des composants de votre cadre de première monte qui aurait des conséquences sur l'amortisseur arrière (y compris les bras oscillants, les composants de fixation des œillets et les pivots).

L'utilisation de pièces pour cadre disponibles en après-vente qui aurait des conséquences sur l'amortisseur arrière (ces pièces n'étant ni testées ni approuvées par le fabricant du cadre de première monte) peut entraîner le dysfonctionnement du produit ainsi que des BLESSURES GRAVES VOIRE MORTELLES.

Votre fourche et votre amortisseur peuvent aussi être défaillants en cas de déformation et/ou de casse de n'importe quelle pièce de la fourche ou de l'amortisseur. Toute situation entraînant une fuite d'air et/ou d'huile, comme un choc ou de longues périodes d'inutilisation, peut également entraîner une défaillance de votre fourche ou de votre amortisseur. Une fourche ou un amortisseur endommagé et/ou présentant une fuite peut être défaillant, ce qui peut entraîner une chute et des BLESSURES GRAVES VOIRE MORTELLES. Si vous pensez que votre fourche ou votre amortisseur a été endommagé, cessez immédiatement d'utiliser votre vélo et contactez FOX pour une révision ou une réparation.

N'essayez jamais de séparer, d'ouvrir, de démonter ou de réparer un amortisseur FOX bloqué en position « comprimée ». Un blocage en position « comprimée » est le résultat d'une défaillance du joint d'étanchéité dynamique (qui se trouve entre les chambres pneumatiques positive et négative à l'intérieur du manchon pneumatique de l'amortisseur autre que EVOL), ce qui implique que la pression dans la chambre négative est plus élevée que celle de la chambre positive. Pour savoir si l'amortisseur est effectivement bloqué en position « comprimée » :

- Retirez le capuchon pneumatique, puis appuyez sur la valve Schrader pour dépressuriser complètement la chambre pneumatique positive de l'amortisseur.
- Si le corps de l'amortisseur se rétracte à l'intérieur du manchon pneumatique presque en position de talonnage une fois que la chambre pneumatique positive n'est plus sous pression, fixez une pompe haute pression FOX et mettez l'amortisseur à une pression de 250 psi (17 bar).
- Si l'amortisseur ne se détend pas complètement, cela signifie qu'il est bloqué en position « comprimée ».
- Toute tentative d'entretien inapproprié d'un amortisseur pneumatique FOX bloqué en position « comprimée » peut entraîner des BLESSURES GRAVES VOIRE MORTELLES. Contactez FOX ou un centre d'entretien agréé pour le faire réparer.

## INSTALLATION DE L'AMORTISSEUR ARRIÈRE

### AVERTISSEMENT

Les types de réglage et de configuration pour les amortisseurs arrière varient énormément d'un fabricant de vélo à un autre. Reportez-vous impérativement au manuel technique de votre vélo. Les produits FOX doivent être installés par un mécanicien vélo qualifié, conformément aux instructions d'installation de FOX. Un amortisseur installé de manière inappropriée peut être défaillant, ce qui peut provoquer une perte de contrôle du vélo et entraîner des BLESSURES GRAVES VOIRE MORTELLES.

Si vous installez sur votre vélo un amortisseur autre que celui prévu à l'origine, suivez les étapes indiquées ci-dessous pour vous assurer de l'espace libre entre les composants avant toute sortie.

### AMORTISSEURS PNEUMATIQUES

1. Installez l'amortisseur sur votre cadre conformément aux instructions du fabricant de votre cadre.
2. Retirez le capuchon pneumatique, fixez une pompe pour amortisseur, puis évacuez LENTEMENT tout l'air de la chambre pneumatique principale.
3. Comprimez lentement la suspension jusqu'à son débattement maximal.
4. Vérifiez que l'amortisseur NE touche PAS le cadre ou une attache sur toute la plage de son débattement.
5. Réglez le sag en respectant les instructions indiquées en ligne sur [www.ridefox.com](http://www.ridefox.com).

#### La pression pneumatique minimale est la suivante :

3,5 bar (50 psi) pour tous les amortisseurs pneumatiques.

Pression mesurée à une température ambiante comprise entre 70 et 75° F. La température de fonctionnement normal pour les produits FOX est comprise entre 20 et 140° F.

### RÉGLAGE DU SAG

Afin de profiter des meilleures performances de votre suspension FOX, réglez la pression pneumatique pour atteindre le réglage du sag approprié. Le sag est le pourcentage de compression de la suspension sous le poids du cycliste et de son équipement. La plage du sag doit être réglée entre 25 et 30 % du débattement total de l'amortisseur.

Visionnez la vidéo de réglage du sag disponible à l'adresse [ridefox.com/sagsetup](http://ridefox.com/sagsetup).

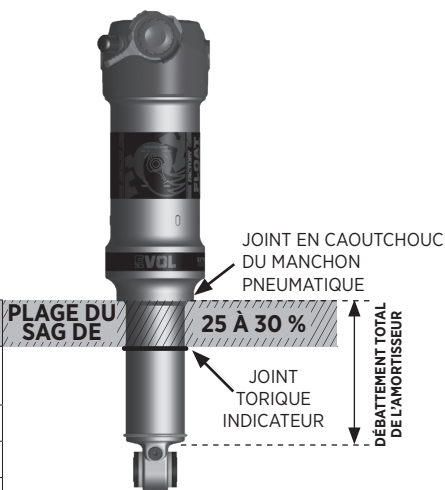
1. Tournez le régulateur de la compression à fond dans le sens inverse des aiguilles d'une montre, puis positionnez le levier sur la position 2 en mode Ouvert le cas échéant.
2. Commencez par régler la pression pneumatique de l'amortisseur (en bar) pour qu'elle soit égale à 15 % de votre poids en kilogrammes. Tout en laissant la pompe fixée à la valve de l'amortisseur, actionnez lentement votre amortisseur sur 25 % de son débattement à 10 reprises jusqu'à atteindre la pression souhaitée. Ceci va équilibrer les chambres pneumatiques positive et négative et modifiera la pression indiquée sur la jauge de la pompe.

### AVERTISSEMENT

Ne dépassez pas la pression pneumatique maximale : les amortisseurs pneumatiques FLOAT tolèrent une pression pneumatique maximale de 24,1 bar (350 psi).

3. Retirez la pompe.
4. Asseyez-vous délicatement sur la selle en position normale de pédalage en vous appuyant contre un mur ou un arbre.
5. Faites coulisser le joint torique indicateur du sag jusqu'à ce qu'il touche le joint en caoutchouc du manchon pneumatique.
6. Descendez délicatement du vélo sans faire bouger les suspensions.
7. Mesurez la distance qui sépare le joint torique indicateur du sag et le joint en caoutchouc du manchon pneumatique. Comparez cette mesure avec celles indiquées dans le tableau « Mesures de sag recommandées ».
8. Ajoutez ou évacuez de la pression pneumatique jusqu'à atteindre la mesure de sag désirée.

Mesures de sag recommandées		
Débattement	Sag de 25 % (ferme)	Sag de 30 % (souple)
35 mm / 1,38 po	8,75 mm / 0,34 po	10,5 mm / 0,41 po
45 mm / 1,77 po	11,25 mm / 0,44 po	13,5 mm / 0,53 po
55 mm / 2,16 po	13,75 mm / 0,54 po	16,5 mm / 0,65 po
65 mm / 2,56 po	16,25 mm / 0,64 po	19,5 mm / 0,77 po



### MANCHON PNEUMATIQUE EVOL

Sur les amortisseurs FLOAT, c'est le modèle EVOL qui est monté d'origine.

### AUGMENTATION DE LA PRESSION PNEUMATIQUE

Équilibrez les chambres pneumatiques positive et négative en comprimant lentement l'amortisseur à 25 % de son débattement à 10 ou 20 reprises à chaque fois que vous ajoutez 50 psi.

Le fait de ne pas équilibrer les chambres pneumatiques peut entraîner une pression plus élevée dans la chambre pneumatique positive que dans la chambre négative. Si l'amortisseur vous semble très dur ou qu'il est en position de talonnage, compressez l'amortisseur jusqu'à entendre ou sentir l'air passer d'une chambre à l'autre. Maintenez l'amortisseur en position comprimée pendant quelques secondes.

### DIMINUTION DE LA PRESSION PNEUMATIQUE

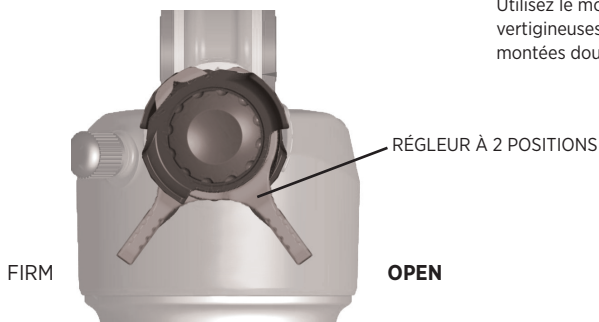
Évacuez l'air lentement de manière à ce que l'air provenant de la chambre négative puisse aussi passer par la valve Schrader.

Le fait d'évacuer l'air trop rapidement peut entraîner une pression plus élevée dans la chambre négative que dans la chambre positive. Si l'amortisseur est comprimé sur son débattement disponible et qu'il ne revient pas en position de détente maximale, ajoutez de la pression pneumatique jusqu'à ce que l'amortisseur se détende, puis compressez lentement l'amortisseur sur 25 % de son débattement à 10 ou 20 reprises.

## RÉGLAGES DE LA COMPRESSION

### LEVIER À 2 POSITIONS

Commencez avec le levier à 2 positions tourné sur le mode OPEN.

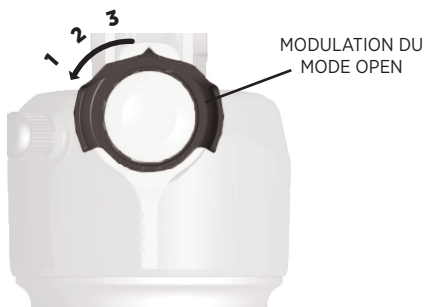


Le levier à **2 positions** permet d'effectuer des réglages directement en roulant et à tout moment afin de contrôler le fonctionnement de l'amortisseur en fonction des irrégularités du terrain.

Utilisez le mode OPEN dans les descentes vertigineuses et le mode FIRM pour les montées douces.

### MODULATION DU MODE OPEN

Réglez la modulation du mode Open sur la position 1.



La **modulation du mode Open** permet de contrôler le fonctionnement de l'amortisseur lors des transferts de poids du cycliste, des grosses forces de gravité et des compressions lentes.

La modulation du mode Open offre 3 positions supplémentaires pour le mode OPEN.

Soulevez le régleur du mode Open, tournez-le dans la position 1, 2 ou 3 et enfoncez-le pour verrouiller la position.

Il est recommandé de procéder à ces réglages lorsque le levier à 3 positions est réglé sur le mode Medium ou Firm.

La position 1 offre des sensations plus douces tandis que la position 3 procure plus de fermeté.

\*Amortisseurs des séries Factory et Performance Elite uniquement

## RÉGLAGE DE LA DÉTENTE

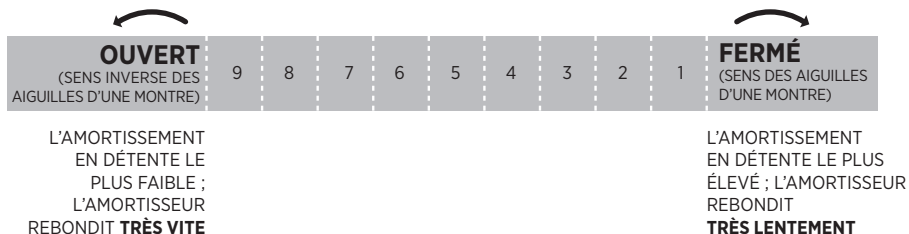
Le réglage de la détente dépend du réglage de la pression pneumatique. Par exemple, une pression pneumatique plus élevée entraîne une détente plus lente. Utilisez la valeur de votre pression pneumatique pour définir votre réglage de détente.

**Tournez la molette de détente en position fermée (à fond dans le sens des aiguilles d'une montre) jusqu'à ce qu'elle se bloque. Puis tournez-la dans l'autre sens (sens inverse des aiguilles d'une montre) en comptant le nombre de clics indiqué dans le tableau ci-dessous.**



La **détente** contrôle la vitesse à laquelle l'amortisseur se détend après la phase de compression.

Pression pneumatique (psi/bar)	Commencer le réglage de la détente
<100 / <6,9	10
100-120 / 6,9-8,3	10
120-140 / 8,3-9,7	9
140-160 / 9,7-11	8
160-180 / 11-12,4	7
180-200 / 12,4-13,8	6
200-220 / 13,8-15,2	5
220-240 / 15,2-16,5	4
240-260 / 16,5-17,9	3
260-280 / 17,9-19,3	2
280-300 / 19,3-20,7	1



## **INSTALLATION DE LA COMMANDE À DISTANCE**

### **AMORTISSEURS ARRIÈRE**

La commande à distance peut être indifféremment installée sous le cintre du côté opposé à la chaîne (là où on trouve ordinairement la commande du dérailleur avant) ou au-dessus du cintre du côté de la chaîne. La commande à distance peut être utilisée avec deux câbles afin de commander la fourche et l'amortisseur en même temps.

1. Faites passer la gaine du câble du levier de la commande à distance jusqu'à l'arrêt du câble au niveau de l'amortisseur arrière. Enfin coupez la gaine à la longueur désirée. Mettez en place une virole à chaque extrémité de la gaine.
2. Réglez le levier de la commande à distance sur le mode OUVERT en poussant le levier de déverrouillage. Vérifiez que l'extrémité du câble est bien en place dans le levier de la commande à distance.
3. Utilisez un petit bout de gaine équipée d'une virole entre le barillet de réglage situé sur le câble et le corps du levier de la commande à distance.
4. Une fois que la gaine du câble est bien en place sur toute sa longueur et qu'il n'y a pas de mou, lubrifiez légèrement le câble interne et enfitez-le à travers la gaine du câble ainsi qu'à travers le petit orifice situé sur la poulie de la commande à distance de couleur bleue. Ne touchez pas à la vis de réglage vissée à fleur qui relie la poulie de la commande à distance de couleur bleue à l'amortisseur ! Le boulon de maintien du câble est situé sur le renflement de la poulie de la commande à distance de couleur bleue.
5. Tout en maintenant le câble tendu, serrez le boulon de maintien, coupez le surplus de câble et écrasez son extrémité à la pince.

## **OPTIONS DE RÉGLAGE SUPPLÉMENTAIRES**

### **ENTRETOISES DE VOLUME**

Changer les entretoises de volume dans l'amortisseur est une manipulation interne facile à réaliser qui vous permet de modifier le niveau de résistance aux chocs moyens et au talonnage.

Si vous avez réglé le sag correctement mais que vous utilisez trop facilement tout le débattement disponible (talonnage), alors vous pouvez installer une plus grosse entretoise pour augmenter la résistance au talonnage.

Si vous avez réglé le sag correctement mais que vous n'utilisez pas tout le débattement disponible, alors vous pouvez installer une plus petite entretoise pour réduire la résistance au talonnage.

Vous pouvez consulter en ligne les procédures d'installation et les différentes options de réglage à l'adresse : [ridefox.com/ownersmanuals](http://ridefox.com/ownersmanuals).



## ENTRETIEN

Le fait de nettoyer convenablement votre composant FOX entre chaque sortie ainsi que de procéder à des entretiens réguliers, vous aidera à réduire les coûts de réparation et à allonger la durée de vie du produit.

Pour plus d'informations sur les procédures d'entretien, consultez le site [www.ridefox.com/OwnersManuals](http://www.ridefox.com/OwnersManuals), ou contactez FOX pour un service complet d'entretien (**1.800.369.7469** ou [mtbservice@ridefox.com](mailto:mtbservice@ridefox.com)).

Éléments d'entretien minimal recommandés	Avant chaque sortie	Après chaque sortie	Régulièrement	Toutes les 125 heures ou une fois par an, au premier des termes échus*
Vérifiez l'extérieur de votre fourche/amortisseur. N'utilisez pas la fourche/l'amortisseur si une pièce extérieure semble endommagée. Contactez FOX ou votre revendeur habituel pour obtenir une réparation.	X			
Nettoyez l'extérieur avec du savon doux et de l'eau uniquement, puis essuyez-le avec un chiffon doux. N'utilisez jamais de nettoyeur haute pression et ne vaporisez jamais d'eau directement sur la jonction joint/corps de l'amortisseur.		X		
Vérifiez les réglages du sag et de l'amortissement. Vérifiez que les commandes ne présentent pas de dommages apparents et qu'elles fonctionnent bien.			X	
Entretien complet (inspections interne et externe complètes, remontage de l'amortisseur, remplacement des joints d'étanchéité pour les amortisseurs pneumatiques, remontage du ressort pneumatique, remplacement du bain d'huile et du joint anti-poussière).				X

\*Pour les cyclistes qui pratiquent des descentes accessibles par remontées mécaniques, dans des parks ou le freeride extrême ou qui roulent sur des terrains extrêmement humides et boueux ou secs et poussiéreux où des débris peuvent souiller l'amortisseur, FOX les invite à réaliser les entretiens de manière plus fréquente que ce qui est recommandé ci-dessus, en fonction des besoins. Si vous entendez, voyez ou sentez quelque chose d'anormal, cessez immédiatement d'utiliser votre vélo et contactez un centre d'entretien agréé FOX pour faire réaliser un entretien approprié.

**CONSULTEZ DES INFORMATIONS ET DES VIDÉOS SUPPLÉMENTAIRES :**

[ridefox.com](http://ridefox.com)

FOX accorde la GARANTIE LIMITÉE suivante sur ses éléments de suspension :

#### GARANTIE LIMITÉE FOX

#### GARANTIE LIMITÉE DE UN (1) AN POUR LES ÉLÉMENTS DE SUSPENSION

Dans le respect des limites et conditions générales de vente notées ci-dessous, FOX garantit à l'acheteur d'origine dans le commerce de détail (client) d'un élément de suspension FOX neuf que cet élément de suspension FOX, quand il est neuf, est exempt de défauts de matériau ou de vices de fabrication. Cette garantie arrive à expiration un (1) an après la date originelle d'achat dans le commerce de détail de l'élément de suspension FOX original auprès d'un revendeur FOX agréé, ou d'un fabricant d'équipement agréé par FOX quand la suspension FOX est incluse en tant qu'équipement d'origine avec un véhicule acheté.

#### CONDITIONS DE LA GARANTIE

Cette garantie n'est valide que si l'élément de suspension FOX est utilisé dans des conditions normales et est entretenu conformément aux recommandations de FOX. Cette garantie est uniquement applicable aux suspensions FOX achetées neuves auprès d'une source autorisée FOX et est offerte uniquement au propriétaire d'origine de l'élément de suspension FOX neuf acheté dans le commerce de détail (client). Elle n'est pas transférable à des acheteurs ultérieurs.

S'il est déterminé par FOX, à son seul gré et sur sa décision définitive, qu'un composant de suspension FOX est couvert par cette garantie limitée, il sera réparé ou remplacé par un modèle comparable, choisi unilatéralement par FOX, dont la décision sera péremptoire et exécutoire. CECI FORME LE RECOURS EXCLUSIF AUX CONDITIONS DE CETTE GARANTIE LIMITÉE. TOUT AUTRE RECOURS OU DOMMAGE QUI POURRAIT ÊTRE APPLICABLE AUTREMENT DANS LE CADRE DE CETTE GARANTIE LIMITÉE EST EXCLU, Y COMPRIS, SANS Y ÊTRE LIMITÉ, LES DOMMAGES ACCESSOIRES OU INDIRECTS, OU LES DOMMAGES ET INTÉRÊTS EXEMPLAIRES.

Cette garantie limitée ne s'applique pas à l'usure normale, aux malformations ou aux défaillances consécutives à un usage inapproprié, un manque d'entretien, un montage incorrect, des modifications ou des altérations, des réparations ou des entretiens inappropriés ou interdits, des collisions, des accidents, des chutes ou toute autre utilisation anormale, excessive ou inappropriée.

La présente garantie limitée confère au client des droits juridiques spécifiques. Le client peut aussi bénéficier d'autres droits juridiques du fait de l'application de lois nationales qui ne sont pas concernées par cette garantie limitée. Si un tribunal compétent détermine qu'une disposition spécifique de cette garantie limitée ne s'applique pas, cette détermination ne portera pas effet sur les autres dispositions de cette garantie limitée et toutes les autres dispositions restent effectives.

CETTE GARANTIE EST LA SEULE GARANTIE OFFERTE PAR FOX POUR SES ÉLÉMENTS DE SUSPENSION ET LEURS COMPOSANTS, ET IL N'Y A AUCUNE AUTRE GARANTIE EN DEHORS DE CELLE DÉCRITE DANS CE DOCUMENT. TOUTE AUTRE GARANTIE QUI POURRAIT ÊTRE IMPLICITE SELON LA LÉGISLATION EN COURS, Y COMPRIS, SANS Y ÊTRE LIMITÉE, TOUTE GARANTIE IMPLICITE DE QUALITÉ MARCHANDE OU D'APTITUDE À UN USAGE SPÉCIFIQUE, EST EXCLUE.

Cette garantie limitée doit être soumise uniquement aux lois de l'État de Californie.

Pour toute question relative à cette garantie ou aux produits FOX, veuillez contacter le Service clientèle FOX des États-Unis par téléphone au 1-800-369-7469 ou consulter le site [www.FOX.com](http://www.FOX.com).

En cas de réclamation dans le cadre de cette garantie limitée, il vous faudra fournir à un Centre d'entretien FOX agréé :

1. le Produit (ou la pièce concernée) et
2. une copie de la preuve d'achat originale indiquant clairement le nom et l'adresse du vendeur, la date et le lieu d'achat, le numéro de référence du produit et, le cas échéant, un numéro de série. Si les produits FOX ont été vendus en tant qu'équipements d'un vélo complet, la marque du vélo, le modèle, l'année modèle et le numéro de série doivent être indiqués.

## CONGRATULAZIONI!

Grazie per aver scelto un prodotto per sospensioni FOX per la vostra bicicletta. Tutti i prodotti per sospensioni FOX sono progettati e testati dai migliori professionisti del settore a Santa Cruz County, California, USA.

Seguire le indicazioni e le istruzioni fornite in questa Guida per l'utente, in modo da essere in grado di eseguire correttamente l'impostazione, l'utilizzo e la manutenzione del nuovo prodotto FOX.

Per informazioni aggiuntive e video, consultare l'indirizzo <http://www.ridefox.com/OwnersManuals>, chiamare FOX US al numero 1.800.369.7469, inviare un'email a [mtbservice@ridefox.com](mailto:mtbservice@ridefox.com), oppure contattare un centro assistenza internazionale autorizzato FOX all'indirizzo <http://www.ridefox.com/GlobalDistributors>. Se non è disponibile una connessione internet, contattare FOX per ordinare una copia cartacea gratuita del manuale utente online FOX relativo al prodotto.

## INFORMAZIONI DI AVVERTENZA E SICUREZZA

I prodotti FOX devono essere installati da un tecnico di assistenza biciclette professionista, secondo le specifiche d'installazione indicate da FOX. Forcelle installate in modo improprio possono cedere, causando la perdita di controllo della bicicletta, con conseguenti LESIONI GRAVI O MORTALI.

Le modifiche o le alterazioni dei prodotti FOX possono causarne il malfunzionamento e comportare LESIONI GRAVI O MORTALI. Non modificare mai ALCUNA parte di un prodotto FOX (inclusi molle elicoidali, archetto d'irrigidimento braccio inferiore, corona, sterzo, tubi superiori, braccio inferiore, manicoetto dell'aria, reggisella, distanziali volume, materiali interni, spessori a fessura del mozzo, adattatori del mozzo, ecc.).

I prodotti di sospensione per biciclette FOX possono anche essere utilizzati su bici con pedalata assistita o veicoli motorizzati che producono fino a 250 watt di potenza. NON utilizzare i prodotti di sospensione per biciclette FOX su veicoli motorizzati che producono oltre 250 watt di potenza.

I prodotti per sospensioni FOX E-BIKE OPTIMIZED possono essere utilizzati su motocicli o veicoli motorizzati che producono 250-500 watt di potenza. NON utilizzare i prodotti per sospensioni FOX per biciclette su motocicli a pedalata assistita o veicoli motorizzati che producono più di 500 watt di potenza.

NON utilizzare i prodotti per sospensioni FOX per biciclette o i prodotti per sospensioni FOX E-BIKE OPTIMIZED su motocicli a pedalata assistita o veicoli motorizzati che producono più di 500 watt di potenza. NON utilizzare i prodotti per sospensioni FOX per biciclette su alcun veicolo motorizzato dotato di acceleratore.

L'uso improprio di prodotti per sospensioni FOX può causare il cedimento delle sospensioni, il che potrebbe comportare danni alle cose, LESIONI GRAVI O MORTALI e annullamento della garanzia.

NON utilizzare prodotti per sospensioni FOX per biciclette su alcun veicolo che trasporti più di un operatore o biker, ad esempio una bicicletta tandem o una bicicletta pesante.

La manutenzione non corretta o l'uso di parti di ricambio non originali con forcelle e ammortizzatori FOX possono causare il malfunzionamento del prodotto, provocando LESIONI GRAVI O MORTALI.

Non usare mai un'idropulitrice per la pulizia del prodotto FOX.

Seguire le istruzioni del produttore dei freni per una corretta installazione e regolazione del sistema frenante. L'installazione o la regolazione non corretta dei freni può causare una perdita di controllo della bicicletta che può causare LESIONI GRAVI O LA MORTALI.

La modifica o l'alterazione del telaio in maniera da interessare l'ammortizzatore posteriore può causare il guasto del prodotto con conseguenti LESIONI GRAVI O MORTALI. Non modificare o alterare in alcun modo i componenti del telaio OEM che azionano l'ammortizzatore posteriore (compresi yoke, componenti montati sul puntone o bilancieri).

L'utilizzo di parti del telaio aftermarket che interessano l'ammortizzatore posteriore (non testate e approvate dal produttore del telaio OE) può causare il malfunzionamento del prodotto. Ciò può provocare la perdita di controllo della bicicletta, con conseguenti lesioni GRAVI O MORTALI.

La forcella o l'ammortizzatore potrebbero cedere in condizioni che causano la flessione e/o la rottura di una parte della forcella o dell'ammortizzatore. Anche qualsiasi condizione che provochi perdita di aria e/o olio, ad esempio una collisione o periodi di non utilizzo, può causare il cedimento della forcella o dell'ammortizzatore. Una forcella o un ammortizzatore danneggiati e/o che hanno perdite potrebbero cedere provocando un incidente con conseguenti LESIONI GRAVI O MORTALI. Se si sospetta che la forcella o l'ammortizzatore siano stati danneggiati, interrompere immediatamente la guida e contattare FOX per l'ispezione e la riparazione.

Non cercare mai di staccare, aprire, smontare o riparare un ammortizzatore FOX "bloccato". Una condizione di "blocco" risulta da un malfunzionamento della guarnizione dinamica interna (posizione tra le camere d'aria negativa e positiva all'interno del manicoetto dell'ammortizzatore non EVOL), facendo sì che la camera d'aria negativa ritenga un maggior livello di alta pressione dell'aria rispetto alla camera d'aria positiva. Per verificare se l'ammortizzatore è effettivamente "bloccato":

- Rimuovere il coperchio e rilasciare la valvola Schrader per rilasciare completamente la pressione dell'aria dalla camera d'aria positiva dell'ammortizzatore.
- Se il corpo di ammortizzazione si ritrae nel manicoetto vicino al fondocorsa quando l'aria viene rilasciata dalla camera d'aria positiva, attaccare una pompa manuale ad alta pressione FOX e pressurizzare l'ammortizzatore a 17 bar (250 psi).
- Se l'ammortizzatore non si estende completamente, significa che è "bloccato".
- Qualsiasi procedura di manutenzione impropria con ammortizzatori ad aria FOX in condizione di blocco può causare LESIONI GRAVI O MORTALI. Per le riparazioni contattare FOX o un Centro Assistenza Autorizzato.

## INSTALLAZIONE DELL'AMMORTIZZATORE POSTERIORE

### AVVERTENZA

L'impostazione e la configurazione dell'ammortizzatore posteriore variano fortemente a seconda dei diversi produttori di biciclette. Fare riferimento al manuale della propria bicicletta. I prodotti FOX devono essere installati da un tecnico di assistenza biciclette qualificato, secondo le specifiche d'installazione indicate da FOX. Ammortizzatori posteriori installati in modo improprio possono cedere, causando la perdita di controllo della bicicletta, con conseguenti LESIONI GRAVI O MORTALI.

Per installare un ammortizzatore su una bicicletta per cui non è in dotazione, attenersi alla procedura riportata di seguito, accertandosi che la lunghezza sia adeguata prima di guidare la bicicletta.

### AMMORTIZZATORI PNEUMATICI

1. Installare l'ammortizzatore sul telaio servendosi della bulloneria appropriata secondo le istruzioni del produttore.
2. Rimuovere il tappo dell'aria, collegare una pompa, e far uscire LENTAMENTE tutta l'aria dalla camera d'aria principale.
3. Comprimerne lentamente le sospensioni compiendo un'escursione intera.
4. Verificare che NESSUNA parte dell'ammortizzatore entri a contatto con il telaio o i collegamenti durante lo spostamento lungo l'escursione.
5. Impostare l'abbassamento consultando le istruzioni online all'indirizzo [www.ridefox.com](http://www.ridefox.com).

#### La pressione minima dell'aria è:

3,5 bar (50 psi) per tutti gli ammortizzatori pneumatici.

Pressione misurata a una temperatura ambiente di 70-75 °F. La normale gamma di temperatura di esercizio per i prodotti FOX è 20-140 °F.

### IMPOSTAZIONE DEL SAG

Per ottenere le migliori prestazioni dalla sospensione FOX, regolare la pressione dell'aria per raggiungere l'impostazione del sag corretta. Il sag è la compressione delle sospensioni dovuta al peso del ciclista e dell'attrezzatura. L'intervallo di sag dovrebbe essere impostato al 25-30% dell'escursione totale dell'ammortizzatore.

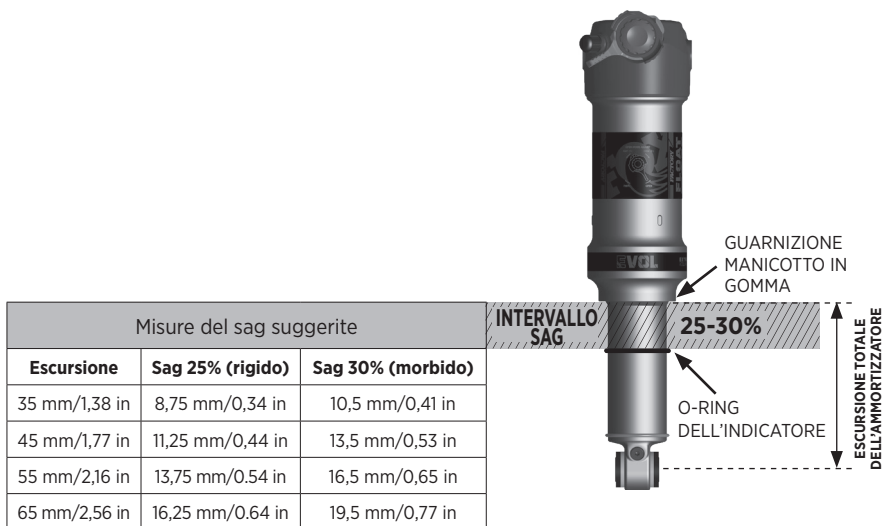
Consultare il video di impostazione del sag su [ridefox.com/sagsetup](http://ridefox.com/sagsetup).

1. Ruotare il regolatore di compressione completamente in senso antiorario e impostare la leva a 2 posizioni, se presente, in modalità Open (aperta).
2. Iniziare impostando la pressione dell'aria dell'ammortizzatore (psi) in modo che corrisponda al proprio peso in libbre (pound). Con la pompa collegata alla valvola dell'ammortizzatore, far muovere lentamente l'ammortizzatore fino al 25% della sua escursione per 10 volte fino a raggiungere la pressione desiderata. Ciò permette di equilibrare le camere d'aria positive e negative e modifica la pressione letta sul manometro della pompa.

### AVVERTENZA

Non superare la pressione dell'aria massima: gli ammortizzatori FLOAT prevedono una pressione massima di 24,1 bar (350 psi).

3. Rimuovere la pompa.
4. Sedersi sulla bicicletta nella normale posizione di guida, utilizzando un muro o un albero come supporto.
5. Far scorrere l'o-ring che indica il sag contro la guarnizione del manicotto in gomma.
6. Smontare con attenzione la bici senza rimbalzare.
7. Misurare la distanza tra l'o-ring che indica il sag e la guarnizione del manicotto in gomma. Confrontare le misure rispetto alla tabella "Misure del sag suggerite".
8. Ridurre o aumentare la pressione dell'aria fino a raggiungere la misura del sag desiderata.



## MOLLA PNEUMATICA EVOL

La molla pneumatica EVOL è installata di serie sugli ammortizzatori FLOAT.

### AUMENTO DELLA PRESSIONE DELL'ARIA

Equalizzare le camere d'aria positiva e negativa lentamente comprimendo l'ammortizzatore al 25% della corsa 10-20 volte dopo l'aggiunta di ogni 50 psi.

La mancata equalizzazione delle camere può portare ad una maggiore pressione nella camera d'aria positiva rispetto a quella della camera negativa. Se l'ammortizzatore è molto rigido e si trova in estensione massima, comprimere l'ammortizzatore fino a sentire o percepire il trasferimento dell'aria. Tenere l'ammortizzatore in questa posizione compressa per alcuni secondi.

### RILASCIO DELLA PRESSIONE DELL'ARIA

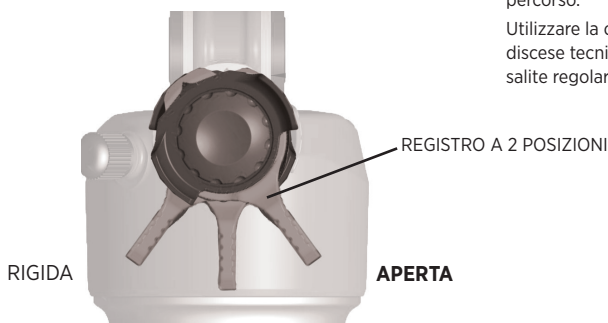
Rilasciare l'aria lentamente in modo che anche l'aria dalla camera negativa possa essere rilasciata attraverso la valvola Schrader.

Il rilascio della pressione dell'aria troppo rapido può causare una pressione maggiore nella camera negativa rispetto alla camera positiva. Se l'ammortizzatore è compresso nella sua corsa e non si estende completamente, aggiungere pressione fino a che l'ammortizzatore non si estende, quindi comprimere lentamente l'ammortizzatore fino al 25% della sua corsa 10-20 volte.

## REGOLAZIONI DELLA COMPRESSIONE

### LEVA A 2 POSIZIONI

Iniziare con la leva a 2 posizioni nella condizione APERTA.



La leva a **2 posizioni** è utile per effettuare le regolazioni on-the-fly per controllare le prestazioni dell'ammortizzatore in presenza di cambiamenti significativi del terreno, ed è concepita per essere regolata durante il percorso.

Utilizzare la condizione APERTA durante le discese tecniche e la modalità RIGIDA per salite regolari.

### REGOLAZIONE DELLA CONDIZIONE APERTA

impostare la condizione di regolazione aperta sull'impostazione 1.



### La regolazione della condizione aperta

è utile per controllare le prestazioni dell'ammortizzatore durante lo spostamento del peso del conducente, gli affondamenti e le varie sollecitazioni lente.

La regolazione in condizione aperta offre 3 ulteriori regolazioni di precisione per la condizione APERTA.

Sollevare il regolatore della condizione aperta, ruotarlo nella posizione 1, 2 o 3 e premere per bloccare la posizione.

Si consiglia di effettuare queste regolazioni con la leva a 3 posizioni in modalità Media o Rigida.

L'impostazione 1 darà una sensazione più morbida mentre l'impostazione 3 darà una sensazione più rigida.

\*Solo ammortizzatori Factory Series e Performance Elite

## REGOLAZIONE DEL RITORNO

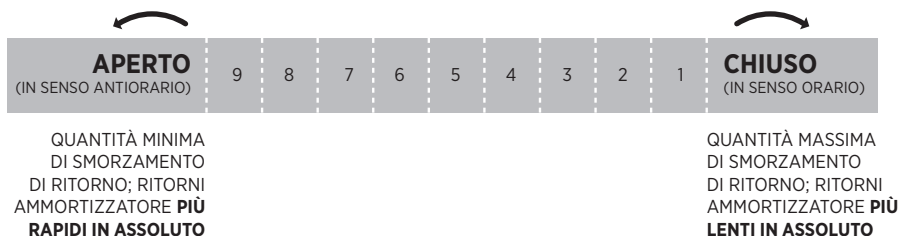
La regolazione del ritorno dipende dall'impostazione della pressione dell'aria. Ad esempio, pressioni dell'aria più elevate comportano impostazioni di ritorno più lente. Utilizzare la pressione dell'aria per trovare l'impostazione del ritorno.

**Ruotare la manopola del ritorno alla posizione di chiusura (completamente in senso orario) fino all'arresto. Quindi ruotarla di nuovo (in senso antiorario) per il numero di clic riportati nella tabella seguente.**



Il **ritorno** controlla la velocità di estensione dell'ammortizzatore dopo la compressione.

Pressione dell'aria (psi/bar)	Impostazione del ritorno iniziale
<100 / <6,9	10
100-120 / 6,9-8,3	10
120-140 / 8,3-9,7	9
140-160 / 9,7-11	8
160-180 / 11-12,4	7
180-200 / 12,4-13,8	6
200-220 / 13,8-15,2	5
220-240 / 15,2-16,5	4
240-260 / 16,5-17,9	3
260-280 / 17,9-19,3	2
280-300 / 19,3-20,7	1



## **INSTALLAZIONE LEVE PER IL COMANDO REMOTO**

### **AMMORTIZZATORI POSTERIORI**

Il controllo a distanza può essere installato sotto il manubrio sul lato non di guida, dove normalmente sarebbe posizionato un cambio anteriore, o sopra il manubrio sul lato di guida. Il controllo a distanza può essere utilizzato con due cavi per controllare contemporaneamente forcella e ammortizzatore.

1. Instradare la guaina del cavo dalla leva remota verso il fermo del cavo dell'ammortizzatore posteriore e tagliare alla lunghezza appropriata. Installare le fascette a entrambe le estremità.
2. Impostare la leva remota in modalità OPEN, spingendo la leva di rilascio. Accertarsi che la testa del cavo sia saldamente alloggiata nella leva remota.
3. Utilizzare un pezzo corto di guaina con una fascetta tra il barilotto di regolazione in linea e il corpo della leva remota.
4. Con la guaina del cavo completamente in sede e in assenza di gioco nel sistema, lubrificare leggermente il cavo interno e farlo passare sulla guaina del cavo e all'interno della puleggia remota blu. Non ruotare la vite di fermo montata a filo che collega la puleggia remota blu all'ammortizzatore. Il bullone del cavo si trova nella porzione che fuoriesce della puleggia remota blu.
5. Reggendo bene il cavo, serrare il bullone di fissaggio, tagliare via il cavo in eccesso e crimpare l'estremità.

## **OPZIONI DI MESSA A PUNTO AGGIUNTIVE**

### **REGOLATORI DI VOLUME**

La modifica dei regolatori di volume nell'ammortizzatore è una semplice regolazione interna che consente di variare l'entità di resistenza a metà corsa e a fine corsa.

Se è stato impostato il sag corretto e si utilizza troppo facilmente l'escursione completa (fine corsa), è possibile installare un regolatore più grande per aumentare la resistenza di fine corsa.

Se è stato impostato il sag corretto e non si riesce a utilizzare l'escursione completa è possibile installare un regolatore più piccolo per ridurre la resistenza di fine corsa.

La procedura di installazione e le opzioni di ottimizzazione sono disponibili online all'indirizzo: [ridefox.com/ownersmanuals](http://ridefox.com/ownersmanuals).



## MANUTENZIONE

Una pulizia adeguata del prodotto FOX tra un utilizzo e l'altro, oltre a un servizio di manutenzione programmato a intervalli regolari, aiuta a ridurre i costi di riparazione e prolunga la durata del prodotto.

Per ulteriori informazioni sulle procedure di manutenzione, visitare il sito [www.ridefox.com/OwnersManuals](http://www.ridefox.com/OwnersManuals), oppure contattare FOX per un servizio completo di manutenzione (**1.800.369.7469** o [mtbservice@ridefox.com](mailto:mtbservice@ridefox.com)).

Interventi di manutenzione minimi consigliati	Prima di ogni sessione di guida	Dopo ogni sessione di guida	Regolarmente	Ogni 125 ore o una volta l'anno, in base a quale evento si verifica prima*
Ispezionare l'intera parte esterna della forcella/ammortizzatore. La forcella/ammortizzatore non deve essere usato se una sua qualsiasi parte esterna appare danneggiata. Rivolgersi al rivenditore locale o a FOX per riparazioni.	X			
Pulire la parte esterna solo con acqua e sapone delicato; asciugare con un panno morbido asciutto. Non utilizzare idropulitrici né spruzzare acqua direttamente sulla giunzione tra la guarnizione/corpo dell'ammortizzatore.		X		
Controllare le impostazioni dell'abbassamento e dell'ammortizzatore. Ispezionare i comandi per rilevare l'eventuale presenza di danni e verificarne il funzionamento.			X	
Revisione completa (ispezione completa interna/esterna, revisione degli ammortizzatori, sostituzione della guarnizione per gli ammortizzatori pneumatici, revisione della molla, sostituzione dell'olio del bagno e del parapolvere).				X

\*Se si effettuano attività su piste accessibili tramite impianti di risalita (downhill), park o freeride estremo, oppure se si guida in condizioni di bagnato/fango o secco/polveroso in cui i detriti del trail vengono proiettati sull'ammortizzatore, FOX consiglia di effettuare la manutenzione con frequenza superiore a quella indicata, in base alle necessità. Se si percepiscono delle anomalie, interrompere immediatamente la guida e contattare un Centro Assistenza Autorizzato FOX per i controlli e le riparazioni necessarie.

## PER ULTERIORI INFORMAZIONI E VIDEO:

[ridefox.com](http://ridefox.com)

FOX stabilisce la seguente GARANZIA LIMITATA per i suoi prodotti per sospensioni:

#### GARANZIA LIMITATA FOX

#### GARANZIA LIMITATA DI UN (1) ANNO SUI PRODOTTI PER SOSPENSIONI

Nel rispetto delle limitazioni, dei termini e delle condizioni del presente documento, FOX garantisce al proprietario originale (consumatore) di ogni nuovo prodotto per sospensioni FOX che lo stesso, in condizioni nuove, è privo di difetti di materiale e lavorazione. Questa garanzia limitata scade dopo un (1) anno dalla data di acquisto del prodotto per sospensioni FOX originale presso un punto vendita FOX autorizzato o un produttore di attrezzatura originale FOX autorizzato presso il quale la sospensione FOX sia in dotazione come attrezzatura originale nel veicolo acquistato.

#### TERMINI DI GARANZIA

Questa garanzia limitata è valida a condizione che il prodotto per sospensioni FOX venga utilizzato in condizioni normali e conservato correttamente secondo quanto specificato da FOX. Questa garanzia limitata è applicabile solo alle sospensioni FOX acquistate nuove da una fonte FOX autorizzata ed è valida solo per il proprietario originale (consumatore) del nuovo prodotto per sospensioni FOX, pertanto non è trasferibile ad eventuali proprietari successivi a quello originale.

Nel caso in cui venisse determinato da FOX, a sua unica discrezione, che un prodotto per sospensioni FOX sia coperto da questa garanzia limitata, questo verrà riparato o sostituito, da un modello confrontabile, scelto esclusivamente da FOX, in modo conclusivo e vincolante. QUESTA RAPPRESENTA L'UNICA ED ESCLUSIVA FORMA DI RIPARAZIONE SOTTO QUESTA GARANZIA LIMITATA. SONO ESCLUSI TUTTI GLI ALTRI EVENTUALI RISARCIMENTI CHE POTREBBERO ESSERE APPLICABILI AI SENSI DI QUESTA GARANZIA LIMITATA, COMPRESI, A TITOLO ESEMPLIFICATIVO MA NON LIMITATIVO, DANNI ACCIDENTALI, INDIRECTI O PUNITIVI.

Questa garanzia limitata non si applica alla normale usura, malfunzionamenti o guasti che derivano da abuso, negligenza, montaggio improprio, alterazione o modifica, riparazione o manutenzione impropria o non autorizzata, sinistri, incidenti o collisioni, o altro uso anomalo, eccessivo o improprio.

La presente garanzia limitata riconosce al consumatore alcuni diritti legali specifici. Il consumatore può anche avere altri diritti legali ai sensi delle vigenti leggi nazionali non compromessi da questa garanzia limitata. Se un tribunale competente per giurisdizione determina che una particolare disposizione della presente garanzia limitata non sia valida, tale determinazione non influenza alcuna altra disposizione della presente garanzia limitata e tutte le altre disposizioni restano in vigore.

LA PRESENTE È L'UNICA GARANZIA CONCESSA DA FOX PER I SUOI PRODOTTI E COMPONENTI PER SOSPENSIONI E NON ESISTE ALCUNA GARANZIA CHE SI ESTENDA OLTRE LA DESCRIZIONE QUI RIPORTATA. È ESCLUSA QUALSIASI GARANZIA CHE POSSA ESSERE SOTTINTESA DALLA LEGGE, COMPRESA, A TITOLO ESEMPLIFICATIVO MA NON LIMITATIVO, QUALSIASI GARANZIA IMPLICITA DI COMMERCIALIZZABILITÀ O IDONEITÀ A UNO SCOPO PARTICOLARE.

La presente garanzia limitata è disciplinata esclusivamente dalle leggi dello Stato della California.

Per domande relative a questa garanzia o a prodotti FOX contattare il reparto assistenza clienti USA di FOX chiamando il numero 1-800-369-7469 o visitando [www.FOX.com](http://www.FOX.com).

Quando si presenta un reclamo ai sensi della presente Garanzia limitata, sarà richiesto di fornire ad un centro di assistenza autorizzato FOX:

1. Il prodotto (o la parte interessata) e
2. Una copia della prova d'acquisto originale, che indica chiaramente il nome e l'indirizzo del venditore, la data e il luogo di acquisto, il codice prodotto e, se utilizzato, un numero di serie. Se i prodotti FOX sono venduti come parte di una bicicletta completa, la marca, il modello, l'anno del modello e il numero di serie della bicicletta devono essere inclusi.

## HERZLICHEN GLÜCKWUNSCH!

Wir gratulieren zu Ihrer neuen FOX-Federung für Ihr Fahrrad. Alle FOX-Federungsprodukte werden von branchenweit führenden Spezialisten in Santa Cruz County (Kalifornien) in den USA entwickelt und getestet. Bitte befolgen Sie die Hinweise und Anweisungen in diesem Handbuch, um Ihr neues FOX-Produkt ordnungsgemäß einzustellen, zu verwenden und zu warten.

Weitere Informationen finden Sie unter <http://www.ridefox.com/OwnersManuals>. Kontaktieren Sie bei Bedarf FOX US telefonisch unter 1.800.369.7469 oder per E-Mail an [mtbservice@ridefox.com](mailto:mtbservice@ridefox.com). Außerhalb der USA können sich auch an eines der zugelassenen internationalen FOX Service-Center wenden, die Sie unter <http://www.ridefox.com/GlobalDistributors> finden. Wenn Sie nicht über einen Internetzugang verfügen, wenden Sie sich an FOX, um kostenlos ein Druckexemplar der Online-FOX-Bedienungsanleitung für Ihr Produkt zu bestellen.

### WARNHINWEISE UND SICHERHEITSMITTEILUNGEN

Produkte von FOX müssen von einem professionellen Fahrradmechaniker gemäß den FOX-Einbauanleitungen eingebaut werden. Unsachgemäß eingebaute Gabeln können versagen, sodass der Fahrer die Kontrolle über das Fahrrad verliert, was zu SCHWEREN ODER TÖDLICHEN VERLETZUNGEN führen kann.

Modifizierungen oder Veränderungen von FOX-Produkten können Fehlfunktionen des Produkts verursachen, die zu SCHWEREN ODER TÖDLICHEN VERLETZUNGEN führen können. Sie dürfen KEINE Teile eines FOX-Produkts modifizieren oder verändern (einschließlich: Schraubenfedern, Querbrücke am unteren Gabelbein, Gabelkopf, Gabelschaft, Standrohre, Gabelbein, Luftkammer, Sattelstütze, Luft-Volumendistanzstücke, Innenteile, Achslochplättchen, Achsadapter und alle anderen Teile).

FOX-Fahrrad-Federungsprodukte dürfen auch an pedalerunterstützten motorisierten Fahrrädern oder motorisierten Fahrrädern oder Fahrzeugen, die bis zu 250 Watt Leistung erzeugen, verwendet werden. Verwenden Sie FOX-Fahrrad-Federungsprodukte NICHT an Fahrzeugen, die mehr als 250 Watt Leistung erzeugen.

FOX-E-BIKE OPTIMIZED-Federungsprodukte dürfen an motorisierten Fahrzeugen, die zwischen 250 und 500 Watt Leistung erzeugen, verwendet werden. Verwenden Sie FOX-Fahrrad-Federungsprodukte NICHT an pedalerunterstützten motorisierten Fahrrädern oder motorisierten Fahrzeugen, die 500 Watt Leistung oder mehr erzeugen.

Verwenden Sie FOX-Fahrrad-Federungsprodukte oder FOX-E-BIKE OPTIMIZED-Federungsprodukte NICHT an pedalerunterstützten motorisierten Fahrrädern oder motorisierten Fahrzeugen, die 500 Watt Leistung oder mehr erzeugen. Verwenden Sie FOX-Fahrrad-Federungsprodukte NICHT an motorisierten Fahrzeugen mit Gaszug.

Die missbräuchliche Verwendung von FOX-Federungsprodukten kann den Ausfall der Federung zur Folge haben, sodass die Gefahr von SCHWEREN ODER TÖDLICHEN VERLETZUNGEN besteht, und führt zum Erlöschen der Garantie.

Verwenden Sie FOX-Fahrrad-Federungsprodukte NICHT an Fahrzeugen, die mehr als eine Person befördern, beispielsweise Tandems oder schwere Lastfahrräder.

Unsachgemäße Wartung oder die Verwendung von Fremdbauteilen an FOX-Gabeln und Dämpfern können Fehlfunktionen des Produkts verursachen, die zu SCHWEREN ODER TÖDLICHEN VERLETZUNGEN führen können.

Reinigen Sie Ihr FOX-Produkt nicht mit einem Hochdruckreiniger.

Befolgen Sie zur ordnungsgemäßen Montage und Einstellung des Bremssystems die Herstelleranweisungen. Wenn Sie Ihre Bremsen nicht ordnungsgemäß einbauen und einstellen, kann es zum Verlust der Kontrolle über das Fahrrad kommen, was zu SCHWEREN ODER

TÖDLICHEN VERLETZUNGEN führen kann.

Modifizierungen oder Veränderungen an Ihrem Rahmen, die sich auf den Hinterbaudämpfer auswirken, können Fehlfunktionen des Produkts verursachen, die zu SCHWEREN ODER TÖDLICHEN VERLETZUNGEN führen können. Modifizieren oder verändern Sie KEINE der OEM-Komponenten Ihres Rahmens, die den Hinterbaudämpfer aktivieren (einschließlich Jochs, Befestigungsstreben und Kippebeln).

Die Verwendung von Fremd-Rahmenbauteilen mit Auswirkungen auf den Hinterbaudämpfer (nicht vom Original-Rahmenhersteller getestet und freigegeben) kann Fehlfunktionen des Produkts verursachen, die zu SCHWEREN ODER TÖDLICHEN VERLETZUNGEN führen können.

Ihre Gabel oder Ihr Dämpfer kann in bestimmten Situationen versagen, wie z. B. wenn Komponenten oder Bauteile der Gabel oder des Dämpfers sich verbiegen oder brechen. Situationen, die zu einem Verlust von Luft und/oder Öl führen, z. B. Unfälle oder längerer Nichtgebrauch, können ebenfalls zum Versagen Ihrer Gabel oder Ihres Dämpfers führen. Beschädigte und/oder leckende Gabeln oder Dämpfer können versagen, was zu Unfällen und SCHWEREN ODER TÖDLICHEN VERLETZUNGEN führen kann. Wenn Sie vermuten, dass Ihre Gabel oder Ihr Dämpfer beschädigt sein könnte, fahren Sie nicht mehr mit dem Fahrrad und wenden Sie sich zur Überprüfung und Reparatur an FOX.

Versuchen Sie nicht, blockierte FOX-Dämpfer auszubauen, zu öffnen, zu zerlegen oder zu warten. Der Grund für ein Blockieren des Dämpfers ist ein Versagen der dynamischen Luftdichtung (zwischen der Positiv- und der Negativ-Luftkammer in der Nicht-EVOL-Dämpfer-Luftkammer), das dazu führt, dass der Druck in der Negativ-Luftkammer höher bleibt als in der Positiv-Luftkammer. So prüfen Sie, ob der Dämpfer blockiert ist:

- Nehmen Sie die Ventilkappe vom Schrader-Ventil des Dämpfers ab und drücken Sie den Einsatz des Schrader-Ventils nach unten, um den Luftdruck aus der Positiv-Luftkammer des Dämpfers vollständig abzulassen.
- Wenn der Dämpferkörper nahezu bis zum Durchschlagen in die Luftkammer eintritt, nachdem die Luft aus der Positiv-Luftkammer abgelassen wurde, pumpen Sie den Dämpfer mithilfe einer FOX-Hochdruckpumpe auf 17 bar auf.
- Wenn der Dämpfer sich nicht vollständig ausfährt, ist er blockiert.
- Unsachgemäße Reparaturen an FOX-Luftdämpfern in blockiertem Zustand können zu SCHWEREN ODER TÖDLICHEN VERLETZUNGEN führen. Wenden Sie sich wegen Reparaturen an FOX oder ein zugelassenes Service-Center.

## EINBAU DES HINTERBAUDÄMPFERS

### WARNUNG

Die Einstellung und Konfiguration des Hinterbaudämpfers ist von Fahrradhersteller zu Fahrradhersteller sehr verschieden. Beachten Sie die Ihrem Fahrrad beiliegende Anleitung des Herstellers. Produkte von FOX müssen von einem qualifizierten Fahrradmechaniker gemäß den FOX-Einbauanleitungen eingebaut werden. Unsachgemäß eingebaute Dämpfer können versagen, sodass der Fahrer die Kontrolle über das Fahrrad verliert, was zu SCHWEREN ODER TÖDLICHEN VERLETZUNGEN führen kann.

Wenn Sie Ihren Dämpfer in ein Fahrrad einbauen, bei dem der Dämpfer keine Originalausstattung war, befolgen Sie die folgenden Schritte, um vor der Fahrt einen ausreichenden Freiraum zu gewährleisten.

### LUFTDÄMPFER

1. Bauen Sie den Dämpfer gemäß den Anweisungen des Rahmenherstellers in Ihren Rahmen ein.
2. Entfernen Sie die Luftventilkappe, bringen Sie eine Dämpferpumpe an und lassen Sie dann LANGSAM die gesamte Luft aus der Hauptluftkammer ab.
3. Bewegen Sie den Dämpfer langsam einige Male durch den gesamten Federweg.
4. Vergewissern Sie sich, dass der Dämpfer über seinen gesamten Federweg hinweg KEINEN Teil des Rahmens oder Gestänges berührt.
5. Stellen Sie die Nachgiebigkeit wie in der Online-Anleitung auf [www.ridefox.com](http://www.ridefox.com) beschrieben ein.

#### Der Mindestluftdruck beträgt:

3,5 bar (50 psi) für alle Luftdämpfer.

Der Druck ist bei einer Umgebungstemperatur von 21 bis 24 °C (70 bis 75 °F) zu messen. Der normale Betriebstemperaturbereich für FOX-Produkte beträgt -7 bis 60 °C (20 bis 140 °F).

### EINSTELLEN DER NACHGIEBIGKEIT

Um mit Ihrer FOX-Federung eine optimale Leistung zu erzielen, passen Sie den Luftdruck an, um die Nachgiebigkeit wie erforderlich einzustellen. Die Nachgiebigkeit (oder auch Negativ-Hub) ist der Weg, um den Ihre Federung durch Ihr Körpergewicht und die Fahrradkleidung einfedert. Die Nachgiebigkeit sollte auf 25 bis 30 % des Gesamtfederwegs des Dämpfers eingestellt werden.

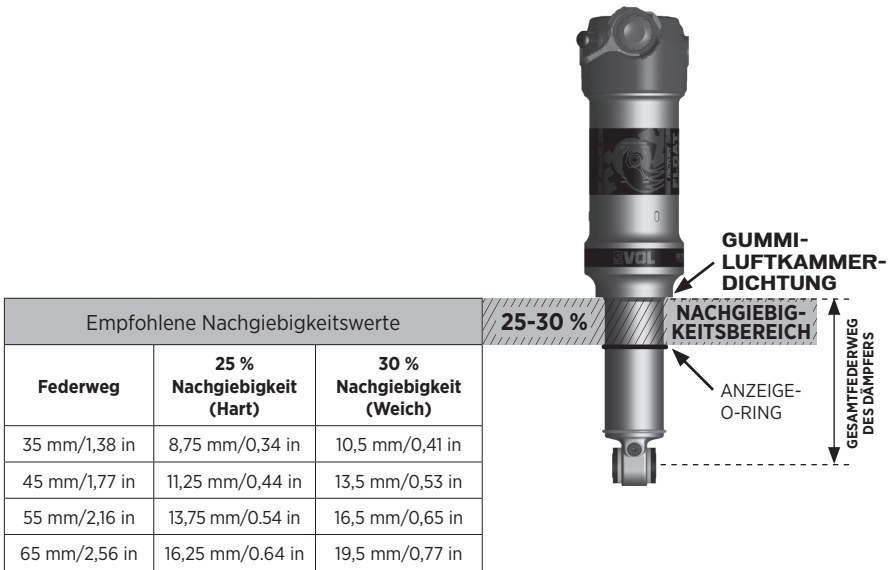
Schauen Sie sich das Video zum Einstellen der Nachgiebigkeit unter [ridefox.com/sagsetup](http://ridefox.com/sagsetup) an.

1. Drehen Sie den Druckstufeneinsteller bis zum Anschlag gegen den Uhrzeigersinn und stellen Sie den 2-Wege-Hebel auf den offenen Modus ein (falls vorhanden).
2. Stellen Sie den Luftdruck des Dämpfers (in bar) so ein, dass er 15 % Ihres Gewichts in Kilogramm entspricht. Bringen Sie die Luftpumpe am Dämpfer an und drücken Sie dann den Dämpfer 10 Mal langsam um 25 % des Federwegs zusammen, bis Sie den gewünschten Druck erreicht haben. Dadurch wird der Luftdruck zwischen der Positiv- und der Negativ-Luftkammer ausgeglichen; die Druckanzeige am Pumpenmanometer ändert sich entsprechend.

### WARNUNG

Überschreiten Sie nicht den maximalen Luftdruck: Bei FLOAT-Luftdämpfern beträgt der maximale Luftdruck 24,1 bar (350 psi).

3. Nehmen Sie die Pumpe ab.
4. Setzen Sie sich in Ihrer normalen Fahrposition auf das Fahrrad, und stützen Sie sich an einer Wand oder einem Baum ab.
5. Schieben Sie den Anzeige-O-Ring für die Nachgiebigkeit gegen die Gummi-Luftkammerdichtung.
6. Steigen Sie vorsichtig vom Fahrrad ab, ohne es einfedern zu lassen.
7. Messen Sie den Abstand zwischen dem Anzeige-O-Ring für die Nachgiebigkeit und der Gummi-Luftkammerdichtung. Vergleichen Sie Ihre Messung mit dem Wert in der Tabelle „Empfohlene Nachgiebigkeitswerte“.
8. Erhöhen oder reduzieren Sie den Luftdruck, bis Sie den gewünschten Nachgiebigkeitswert erreicht haben.



### EVOL-LUFTKAMMER

Die EVOL ist bei FLOAT-Dämpfern ab Werk montiert.

### LUFTDRUCK ERHÖHEN

Gleichen Sie den Luftdruck zwischen der Positiv- und der Negativ-Luftkammer aus, indem Sie den Dämpfer nach jeder Erhöhung des Luftdrucks um 3,5 bar 10 bis 20 Mal langsam um 25 % des Federwegs zusammendrücken.

Wenn Sie die Luftkammern nicht ausgleichen, kann es dazu kommen, dass der Luftdruck in der Positiv-Luftkammer höher als in der Negativ-Luftkammer ist. Wenn sich der Dämpfer sehr steif anfühlt und in der vollständig ausgefederten Position befindet, drücken Sie ihn zusammen, bis Sie einen Lufttransfer hören oder spüren. Halten Sie den Dämpfer einige Sekunden lang in dieser zusammengedrückten Position.

### LUFTDRUCK ABLASSEN

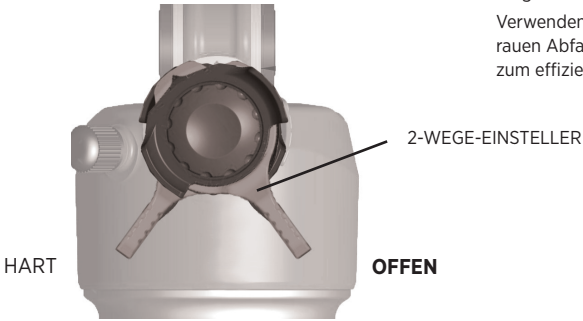
Lassen Sie den Luftdruck langsam ab, sodass auch die Luft aus der Negativ-Luftkammer über das Schrader-Ventil abgelassen werden kann.

Wenn Sie den Luftdruck zu schnell ablassen, kann es dazu kommen, dass der Luftdruck in der Negativ-Luftkammer höher als in der Positiv-Luftkammer ist. Wenn der Dämpfer in seinen Federweg eingefedert ist und nicht vollständig ausfährt, erhöhen Sie den Luftdruck, bis der Dämpfer ausfährt und drücken Sie ihn dann 10 bis 20 Mal langsam um 25 % des Federwegs zusammen.

## EINSTELLEN DER DRUCKSTUFE

### 2-WEGE-EINSTELLER

Stellen Sie den 2-Wege-Hebel zunächst auf den OFFENEN Modus ein.



Der **2-Wege-Hebel** ermöglicht, schnelle Anpassungen vorzunehmen, um das Federverhalten des Dämpfers bei Veränderungen des Geländes anzupassen. Er ist für Einstellungen während der Fahrt vorgesehen.

Verwenden Sie den OFFENEN Modus bei rauen Abfahrten und den HARTEN Modus zum effizienten Klettern.

### EINSTELLER FÜR DEN OFFENEN MODUS

Setzen Sie den Einsteller für den offenen Modus auf Einstellposition 1.



Der **Einsteller für den offenen Modus** ermöglicht, das Federverhalten des Dämpfers bei Verlagerungen des Fahrergewichts, beim Springen und bei langsamer Kräfteinwirkung zu steuern.

Der Einsteller für den offenen Modus bietet 3 zusätzliche Feineinstellungen für den OFFENEN Modus.

Ziehen Sie den Einsteller für den offenen Modus heraus, drehen Sie ihn in die Position 1, 2 oder 3 und drücken Sie ihn ein, um die Einstellung zu verriegeln.

Es wird empfohlen, diese Einstellungen vorzunehmen, während sich der 3-Wege-Hebel im Modus MITTEL oder HART befindet. Einstellung 1 ist das weichste Fahrverhalten, Einstellung 3 das härteste.

\* Nur Dämpfer der Factory- und Performance Elite-Serie

## EINSTELLEN DER ZUGSTUFE

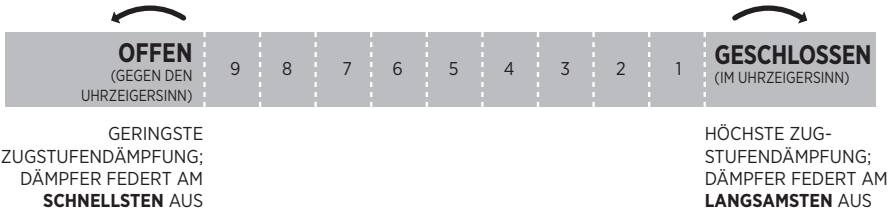
Die Zugstufeneinstellung hängt von der Einstellung des Luftdrucks ab. Höhere Luftdrücke erfordern beispielsweise niedrigere Zugstufeneinstellungen. Bestimmen Sie Ihre Zugstufeneinstellung anhand des Luftdrucks.

**Drehen Sie den Zugstufeneinsteller in die geschlossene Position (bis zum Anschlag im Uhrzeigersinn). Drehen Sie ihn dann um die in der untenstehenden Tabelle angegebene Anzahl Klicks gegen den Uhrzeigersinn zurück.**



**Die Zugstufe** legt die Geschwindigkeit fest, mit der Ihr Dämpfer nach der Belastung auffedert.

Luftdruck (psi/bar)	Empfohlene Ausgangseinstellung der Zugstufe
<100 / <6,9	10
100-120 / 6,9-8,3	10
120-140 / 8,3-9,7	9
140-160 / 9,7-11	8
160-180 / 11-12,4	7
180-200 / 12,4-13,8	6
200-220 / 13,8-15,2	5
220-240 / 15,2-16,5	4
240-260 / 16,5-17,9	3
260-280 / 17,9-19,3	2
280-300 / 19,3-20,7	1



## **MONTAGE DER FERNBEDIENUNG**

### **HINTERBAUDÄMPFER**

Die Fernbedienung kann wahlweise unter dem Lenker auf der Nicht-Antriebsseite (wo sich normalerweise der Umwerfer-Schalthebel befindet) oder über dem Lenker auf der Antriebsseite angebracht werden. Die Fernbedienung kann mit zwei Zügen verwendet werden, um die Gabel und den Dämpfer gleichzeitig zu steuern.

1. Führen Sie die Zugaußenhülle vom Fernbedienungshebel zum Zuganschlag am Hinterbaudämpfer und kürzen Sie sie auf die benötigte Länge. Bringen Sie an beiden Enden Endkappen an.
2. Stellen Sie den Fernbedienungshebel auf den OFFENEN Modus, indem Sie den Freigabehebel betätigen. Stellen Sie sicher, dass das Zugende fest im Fernbedienungshebel sitzt.
3. Verwenden Sie ein kurzes Stück Außenhülle mit einer Endkappe zwischen dem Zugspannungseinsteller und dem Fernbedienungshebelkörper.
4. Wenn alle Außenhüllen fest sitzen und das System nirgends durchhängt, schmieren Sie den Innenzug etwas und führen Sie ihn durch die Außenhülle und das kleine Loch in der blauen Umlenkrolle für die Fernbedienung. Drehen Sie nicht die versenkt montierte Einstellschraube, mit der das blaue Fernbedienungsrollchen am Dämpfer befestigt ist! Die Zugklemmschraube befindet sich im vorstehenden Teil des blauen Fernbedienungsrollchens.
5. Ziehen Sie den Zug straff, ziehen Sie die Zugklemmschraube fest, schneiden Sie die überschüssige Zuglänge ab und bringen Sie eine Endkappe an.

## **ZUSÄTZLICHE ABSTIMMUNGSOPTIONEN**

### **VOLUMENDISTANZSTÜCKE**

Volumendistanzstücke ermöglichen bei dem Dämpfer eine interne Anpassung, mit der Sie den Federweg im mittleren Bereich und den Durchschlagswiderstand abstimmen können.

Wenn Sie die Nachgiebigkeit richtig eingestellt haben und der gesamte Federweg (Durchschlagen) zu einfach erreicht wird, können Sie ein größeres Distanzstück installieren, um den Durchschlagswiderstand zu erhöhen.

Wenn Sie die Nachgiebigkeit richtig eingestellt haben und der gesamte Federweg nicht ausgenutzt wird, können Sie ein kleineres Distanzstück montieren, um den Durchschlagswiderstand zu verringern.

Einbauverfahren und Abstimmungsoptionen sind online verfügbar unter: [ridefox.com/ownersmanuals](http://ridefox.com/ownersmanuals).



## WARTUNG

Die ordnungsgemäße Reinigung Ihres FOX-Produkts zwischen den Fahrten und die regelmäßige Wartung tragen dazu bei, die Reparaturkosten zu senken und die Haltbarkeit des Produkts zu verlängern.

Weitere Informationen zu Wartungsverfahren finden Sie unter [www.ridefox.com/OwnersManuals](http://www.ridefox.com/OwnersManuals) oder erkundigen Sie sich bei FOX nach unserem umfassenden Wartungsservice (**1.800.369.7469** oder [mtbservice@ridefox.com](mailto:mtbservice@ridefox.com)).

Minimal empfohlene Wartungsmaßnahmen	Vor jeder Fahrt	Nach jeder Fahrt	Regelmäßig	Alle 125 Stunden oder jährlich (der frühere Zeitpunkt gilt)*
Überprüfen Sie sorgfältig das Äußere der Gabel/des Dämpfers. Wenn Sie Beschädigungen feststellen, dürfen Sie die Gabel/den Dämpfer nicht benutzen. Wenden Sie sich zur Reparatur an Ihren Händler oder an FOX.	X			
Reinigen Sie die Komponenten von außen nur mit milder Seife und Wasser; trocknen Sie sie dann mit einem trockenen, weichen Tuch ab. Verwenden Sie keinen Hochdruckreiniger und sprühen Sie kein Wasser direkt auf den Übergang zwischen Dichtung und Dämpferkörper.		X		
Überprüfen Sie die Nachgiebigkeits- und Dämpfereinstellungen. Überprüfen Sie die Bedienelemente auf sichtbare Schäden und ordnungsgemäße Funktion.			X	
Vollständige Wartung (vollständige innere/äußere Inspektion, Dämpferüberholung, Austausch von Luftdichtungen bei Luftgabeln, Luftfederüberholung, Ölwechsel und Erneuerung der Staubabstreifer).				X

\*Für liftgestütztes Downhill, Downhill-Parks oder Extreme Freeride sowie bei extrem feuchten/schlammigen oder trockenen/staubigen Fahrbedingungen, wenn Schlamm und Staub während der Fahrt gegen den Dämpfer spritzen, empfiehlt FOX, die Wartung in kürzeren Abständen als oben aufgeführt durchzuführen. Wenn Sie etwas Ungewöhnliches hören, sehen oder spüren, steigen Sie sofort vom Fahrrad und wenden Sie sich an ein zugelassenes FOX Service-Center, um Ihre Gabel warten zu lassen.

**WEITERE INFORMATIONEN UND VIDEOS UNTER:**

[ridefox.com](http://ridefox.com)

FOX gewährt auf seine Federungsprodukte folgende EINGESCHRÄNKTE GARANTIE:

#### EINGESCHRÄNKTE GARANTIE VON FOX

#### EINGESCHRÄNKTE EIN (1)-JÄHRIGE GARANTIE AUF FEDERUNGSPRODUKTE

Gemäß den hier dargelegten Beschränkungen und Bestimmungen gewährleistet FOX gegenüber dem Originalkäufer jedes neuen FOX-Federungsprodukts, dass das FOX-Federungsprodukt im Neuzustand frei von Material- und Herstellungsfehlern ist. Der Garantiezeitraum endet ein (1) Jahr nach dem Datum des Kaufs des Original-FOX-Federungsprodukts im Einzelhandel bei einem zugelassenen FOX-Händler oder einem von Fox zugelassenen Originalhersteller, wenn die FOX-Federung als Originalausstattung an einem gekauften Fahrrad erworben wird.

#### GARANTIEBESTIMMUNGEN

Diese eingeschränkte Garantie gilt für das FOX-Federungsprodukt, sofern es unter normalen Bedingungen und wie von Fox vorgeschrieben ordnungsgemäß gewartet wird. Diese eingeschränkte Garantie gilt nur für FOX-Federungsprodukte, die neu von einem zugelassenen FOX-Händler gekauft wurden, und wird nur dem Erstkäufer (Verbraucher) des neuen FOX-Federungsprodukts gewährt. Sie ist nicht auf nachfolgende Besitzer übertragbar.

Sollte durch FOX nach seinem alleinigen und endgültigen Ermessen festgestellt werden, dass ein FOX-Federungsprodukt von dieser eingeschränkten Garantie gedeckt ist, wird es nach alleiniger, endgültiger und verbindlicher Entscheidung von FOX repariert oder durch ein vergleichbares Modell ersetzt. WEITERGEHENDE ANSPRÜCHE GEMÄSS DIESER EINGESCHRÄNKTEN GARANTIE SIND AUSGESCHLOSSEN. JEDLICHE SONSTIGEN ANSPRÜCHE UND SCHADENERSATZFORDERUNGEN, DIE GEMÄSS DIESER EINGESCHRÄNKTEN GARANTIE SONSTIG ANWENDBAR SEIN KÖNNEN, WERDEN AUSGESCHLOSSEN, EINSCHLIESSLICH, JEDOCH NICHT BESCHRÄNKT AUF DIE HAFTUNG FÜR ZUFÄLLIGE ODER FOLGESCHÄDEN SOWIE BUSSGELDER.

Diese eingeschränkte Garantie gilt nicht für Schäden infolge von normalem Verschleiß sowie Fehlfunktionen oder Ausfälle, die infolge von Missbrauch, fehlerhafter Montage, Fahrlässigkeit, Veränderungen, unsachgemäßer Wartung, Unfällen, unsachgemäßem Gebrauch oder Kollisionen entstehen.

Diese eingeschränkte Garantie räumt dem Kunden spezifische Rechte ein. Dem Kunden stehen gemäß nationalen Gesetzen möglicherweise Rechte zu, die von dieser eingeschränkten Garantie nicht betroffen sind. Wenn ein zuständiges Gericht aus jeglichem Grund eine Bestimmung dieser eingeschränkten Garantie als unwirksam erachtet, wirkt sich dies nicht auf die anderen Bestimmungen dieser eingeschränkten Garantie aus, und sämtliche anderen Bestimmungen bleiben wirksam.

DIES IST DIE EINZIGE GARANTIE, DIE FOX AUF SEINE FEDERUNGSPRODUKTE UND -KOMPONENTEN GEWÄHRT. JEDLICHE GARANTIE, DIE ÜBER DIE HIER BESCHRIEBENEN HINAUSGEHEN, WERDEN AUSGESCHLOSSEN. JEDLICHE KONKLUDENTEN GESETZLICHEN GARANTIE, INSBESONDERE JEDLICHE KONKLUDENTE GEWÄHRLEISTUNG DER MARKTGÄNGIGKEIT ODER EIGNUNG FÜR EINEN BESTIMMTEN ZWECK, WERDEN AUSGESCHLOSSEN.

Diese eingeschränkte Garantie unterliegt ausschließlich der Gesetzgebung des US-Bundesstaates Kalifornien.

Für Fragen bezüglich dieser Garantie oder FOX-Produkten wenden Sie sich bitte telefonisch an die US-Kundendienst-Abteilung von FOX unter 1-800-369-7469, oder besuchen Sie [www.FOX.com](http://www.FOX.com).

Um einen Garantieanspruch im Rahmen dieser eingeschränkten Garantie geltend zu machen, müssen Sie Folgendes in einem zugelassenen FOX Service-Center vorlegen bzw. an ein zugelassenes FOX Service-Center senden:

1. Das Produkt (oder das betroffene Teil) und
2. Eine Kopie des Originalkaufbelegs, auf welcher der Name und die Anschrift des Verkäufers, der Kaufort und das Kaufdatum, die Produktteilenummer und gegebenenfalls eine Seriennummer angegeben sind. Wenn FOX Produkte als Teil eines kompletten Fahrrads verkauft werden, sind die Marke des Fahrrads, das Modell, das Modelljahr und die Seriennummer anzugeben.

## ¡ENHORABUENA!

Gracias por elegir un producto de suspensión FOX para su bicicleta. Todas las suspensiones FOX han sido diseñadas, probadas y fabricadas por los mejores profesionales del sector, en el condado de Santa Cruz, California, EE. UU.

Para una adecuada instalación, utilización y mantenimiento de su nuevo producto FOX, siga las instrucciones y recomendaciones que se ofrecen en esta guía del usuario.

Si necesita información adicional, puede obtenerla a través de Internet en nuestra dirección <http://www.ridefox.com/OwnersManuals>, o bien llamando al teléfono de FOX en EE. UU. 1.800.369.7469, mediante el correo electrónico [mtbservice@ridefox.com](mailto:mtbservice@ridefox.com) o contactando con alguno de los centros de servicio técnico autorizados de los que FOX dispone en diversos países, cuyos datos se detallan en la página <http://www.ridefox.com/GlobalDistributors>. Si no dispone de acceso a Internet, contacte con FOX para solicitar gratuitamente una copia impresa del manual de usuario completo de FOX disponible en Internet.

### AVISO E INFORMACIÓN PARA SU SEGURIDAD

Los productos FOX deben ser instalados por un técnico de bicicletas cualificado, siguiendo las especificaciones de instalación de FOX. Una horquilla mal instalada puede fallar, provocando la pérdida de control de la bicicleta, lo que puede ocasionar LESIONES GRAVES O INCLUSO MORTALES.

La modificación o alteración de productos FOX puede provocar el fallo del producto y ocasionar LESIONES GRAVES O INCLUSO MORTALES. No modifique ni altere nunca NINGUNA pieza de un producto FOX (ya sean los muelles helicoidales, la cruceta del brazo inferior, la corona, el tubo de dirección, los tubos superiores, el brazo inferior, la lata de aire, la tija del sillín, los espaciadores de volumen de aire, las piezas internas, las cuñas metálicas adaptadoras para el eje, los adaptadores de eje o cualquier otra pieza).

Los productos de suspensión para bicicletas FOX también se pueden usar en bicicletas motorizadas asistidas por pedal o vehículos motorizados que produzcan hasta 250 vatios de potencia. NO utilice los productos de suspensión para bicicletas FOX en vehículos que produzcan más de 250 vatios de potencia.

Los productos de suspensión FOX optimizados para bicicletas eléctricas (FOX E-BIKE OPTIMIZED) pueden emplearse en motociclos o en vehículos motorizados de potencia comprendida entre 250 y 500 vatios. NO utilice ningún producto de suspensión para bicicletas FOX en motociclos asistidos por pedaleo ni en vehículos motorizados de potencia igual o superior a 500 vatios.

NO utilice ningún producto de suspensión para bicicletas FOX ni ningún producto de suspensión FOX E-BIKE OPTIMIZED en motociclos asistidos por pedaleo ni en vehículos motorizados de potencia igual o superior a 500 vatios. NO utilice ningún producto de suspensión para bicicletas FOX en ningún vehículo motorizado que tenga acelerador.

Un uso indebido de los productos de suspensión FOX puede provocar averías en la suspensión que ocasionen daños materiales o LESIONES GRAVES O INCLUSO MORTALES, además de ser causa de anulación de la garantía.

NO utilice los productos de suspensión para bicicletas FOX en vehículos que transporten a más de una persona, como las bicicletas tándem o bicicletas utilitarias con carga pesada.

Un mantenimiento inadecuado o la utilización de recambios no originales en las horquillas y suspensiones FOX pueden provocar fallos de funcionamiento en el producto que ocasionen LESIONES GRAVES O INCLUSO MORTALES.

No utilice nunca limpiadores por agua a presión para limpiar los productos FOX.

Para instalar y ajustar correctamente el sistema de frenos, siga las instrucciones del fabricante de los frenos. No instalar y ajustar correctamente los frenos puede provocar la pérdida de control de la bicicleta, con consecuencias GRAVES O INCLUSO MORTALES para el ciclista.

La modificación o alteración del cuadro, de forma que afecte al amortiguador trasero, puede provocar el fallo del producto, con consecuencias GRAVES o INCLUSO MORTALES para el ciclista. No modifique ni altere nunca NINGUNA parte de los componentes del cuadro original que accionan el amortiguador trasero (incluyendo horquillas, componentes de montaje de puntales o articulaciones de balancines).

El uso de piezas de repuesto en el cuadro que afecten al amortiguador trasero (no probadas ni aprobadas por el fabricante del cuadro original) puede provocar fallos de funcionamiento del producto, con consecuencias GRAVES O INCLUSO MORTALES.

La horquilla o el amortiguador pueden fallar ante cualquier situación que doble alguna de sus piezas o provoque su rotura. Cualquier circunstancia que provoque la pérdida de aire y/o aceite, por ejemplo una colisión o un largo periodo de inactividad, puede también dar lugar a un fallo del amortiguador o de la horquilla. Un amortiguador u horquilla dañados o con fugas pueden dejar de funcionar correctamente y ocasionar un accidente, con consecuencias GRAVES O INCLUSO MORTALES. Si sospecha que su horquilla o amortiguador están dañados, deje de montar inmediatamente y contacte con FOX para que inspeccionen y reparen.

No intente nunca desatascar un amortiguador FOX atascado tirando de él, abriéndolo, desmontándolo o reparándolo. Cuando un amortiguador se queda atascado, significa que ha fallado la junta dinámica de aire (situada entre las cámaras de aire de presión positiva y negativa que hay dentro de la camisa neumática del amortiguador, en los modelos sin sistema EVOL), como consecuencia de lo cual la cámara de presión negativa mantiene una presión de aire superior a la de la cámara positiva. Para comprobar si el amortiguador se encuentra efectivamente atascado:

- Quite el tapón de aire y presione sobre la válvula Schrader para vaciar todo el aire de la cámara de presión positiva del amortiguador.
- Si el cuerpo del amortiguador se retrae hacia dentro de la camisa neumática cerca de la posición de máxima compresión después de haberse liberado todo el aire de la cámara de presión positiva, acople una bomba manual de alta presión FOX y presurice el amortiguador hasta alcanzar 17 bar (250 psi).
- Si el amortiguador no se extiende del todo, es que se ha quedado atascado en posición retraída.
- Un mantenimiento o reparación inadecuados de un amortiguador neumático FOX que haya quedado atascado en posición retraída pueden provocar LESIONES GRAVES O INCLUSO MORTALES. Póngase en contacto con FOX o con un servicio técnico autorizado si necesita asistencia técnica para la reparación.

## INSTALACIÓN DEL AMORTIGUADOR TRASERO

### ATENCIÓN

La configuración y el ajuste del amortiguador trasero varían considerablemente entre las distintas marcas de bicicletas. Asegúrese de consultar el manual de usuario de su bicicleta. Los productos FOX deben ser instalados por un técnico de bicicletas cualificado, siguiendo las especificaciones de instalación de FOX. Un amortiguador mal instalado puede fallar, provocando la pérdida de control de la bicicleta, lo que puede ocasionar LESIONES GRAVES O INCLUSO MORTALES.

Si está instalando el amortiguador en una bicicleta en la que no venía de serie, antes de montar en la bicicleta, siga los pasos que se indican a continuación para confirmar que hay espacio suficiente.

### AMORTIGUADORES NEUMÁTICOS

1. Instale el amortiguador en el cuadro siguiendo las instrucciones del fabricante del cuadro.
2. Retire el tapón de aire, conecte una bomba para amortiguadores y libere LENTAMENTE todo el aire de la cámara de aire principal.
3. Comprima la suspensión despacio y con cuidado hasta llegar al final de su recorrido.
4. Compruebe que NINGUNA parte del amortiguador llegue a hacer contacto con ninguna parte o articulación del cuadro a lo largo de su recorrido.
5. Ajuste el hundimiento siguiendo las instrucciones que encontrará en la web [www.ridefox.com](http://www.ridefox.com).

### Presión de aire mínima:

3,5 bar (50 psi) para todos los amortiguadores neumáticos.

Presión medida a una temperatura ambiente de entre 21 y 24 °C (70-75 °F). El intervalo normal de temperaturas de funcionamiento de los productos FOX va de -7 a 60 °C (20-140 °F).

### AJUSTE DE HUNDIMIENTO

Para que su suspensión FOX funcione a pleno rendimiento, regule la presión de aire para obtener el ajuste de hundimiento adecuado. El hundimiento es el grado de compresión que experimenta la suspensión bajo el peso del propio ciclista y de su indumentaria. El margen de hundimiento debe ajustarse a una amplitud de entre el 25 y el 30 % del recorrido total del amortiguador.

Vea el vídeo de configuración del hundimiento en [ridefox.com/sagsetup](http://ridefox.com/sagsetup).

1. Gire a tope el regulador de compresión en sentido antihorario y coloque la palanca de 2 posiciones, si está presente, en modo abierto.
2. Empezee ajustando la presión de aire del amortiguador a un valor en bares igual a 1/7 de su peso en kg. Con la bomba de aire conectada a la válvula del amortiguador, comprima y suelte 10 veces el amortiguador un 25 % de su recorrido hasta alcanzar la presión deseada. Con ello se igualarán las presiones de las cámaras de aire positiva y negativa e irá variando la presión indicada por el manómetro de la bomba.

### ADVERTENCIA

No supere la presión de aire máxima: los amortiguadores neumáticos FLOAT admiten una presión de aire máxima de 24,1 bar (350 psi).

3. Retire la bomba.
4. Manténgase encima de la bicicleta sin moverse, en posición normal, utilizando como apoyo un árbol o una pared.
5. Tire de la junta tórica indicadora de hundimiento hacia arriba, contra la junta de goma de la camisa de aire.
6. Bájese de la bicicleta con cuidado, sin botar.
7. Mida la distancia entre la junta tórica indicadora de hundimiento y la junta de goma de la camisa de aire. Compare su medida con los valores indicados en la tabla «Valores recomendados de hundimiento».
8. Aumente o reduzca la presión de aire hasta alcanzar el valor de hundimiento deseado.

Valores recomendados de hundimiento		
Recorrido	25 % de hundimiento (firme)	30 % de hundimiento (blando)
35 mm/1,38 in	8,75 mm/0,34 in	10,5 mm/0,41 in
45 mm/1,77 in	11,25 mm/0,44 in	13,5 mm/0,53 in
55 mm/2,16 in	13,75 mm/0,54 in	16,5 mm/0,65 in
65 mm/2,56 in	16,25 mm/0,64 in	19,5 mm/0,77 in



### CAMISA DE AIRE EVOL

Los amortiguadores FLOAT llevan instalado de fábrica el sistema EVOL.

### AUMENTO DE LA PRESIÓN DE AIRE

Igualé las presiones de las cámaras de aire de presión positiva y negativa comprimiendo lentamente el amortiguador un 25 % de su recorrido, entre 10 y 20 veces, después de cada 3,5 bares (50 psi) de aumento de presión.

De no igualar la presión de ambas cámaras, podría quedar más presión en la cámara de aire positiva que en la negativa. Si nota el amortiguador muy duro y se encuentra en su posición de máxima extensión, comprímalo hasta que escuche o note que pasa aire de una cámara a otra. Mantenga el amortiguador comprimido en esa posición durante unos segundos.

### REDUCCIÓN DE LA PRESIÓN DE AIRE

Libere aire lentamente para que también salga aire de la cámara negativa a través de la válvula Schrader. Si suelta aire demasiado rápido, la cámara negativa podría quedar con más presión que la positiva. Si el amortiguador se comprime en todo su recorrido, pero no se extiende por completo, añada presión de aire hasta extenderlo completamente. A continuación, comprima lentamente el amortiguador de 10 a 20 veces un 25 % de su recorrido.

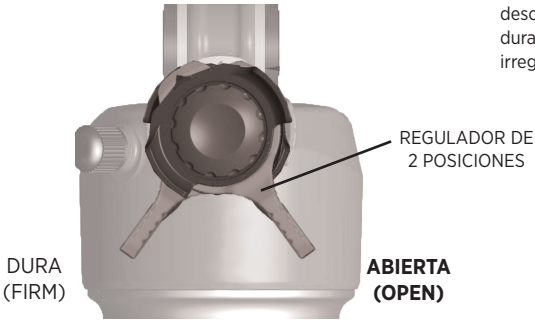
## AJUSTES DE COMPRESIÓN

### PALANCA DE 2 POSICIONES

Empiece con la palanca de 2 posiciones en la posición abierta (OPEN).

La palanca de **2 posiciones** sirve para realizar ajustes sobre la marcha con los que controlar el comportamiento del amortiguador ante variaciones considerables de las características del terreno, y está diseñada para ir utilizándola durante todo el recorrido.

Utilice la posición abierta (OPEN) en los descensos por caminos escarpados y la dura (FIRM) para subir cuestas sin grandes irregularidades.



### AJUSTE DE LA POSICIÓN ABIERTA (OPEN)

Ajuste la posición abierta al valor 1.

El **ajuste de la posición abierta** sirve para controlar el comportamiento del amortiguador ante desplazamientos del cuerpo del ciclista, al clavar los frenos o comprimir totalmente la suspensión ante desaceleraciones bruscas por cambios de inclinación del terreno (G-outs), o en respuesta a fuerzas lentas.

En la posición abierta (OPEN) se dispone de 3 ajustes finos para regular mejor la respuesta de la suspensión.

Levante el regulador de la posición abierta, gírelo hasta 1, 2 o 3, y presiónelo para dejarlo fijado en esa posición.

Se recomienda realizar estos ajustes con la palanca de 3 posiciones en la posición intermedia o dura.

La posición 1 es la más blanda, y la 3 la más dura.

\* Sólo para amortiguadores de las series Factory y Performance Elite.



## AJUSTE DE REBOTE

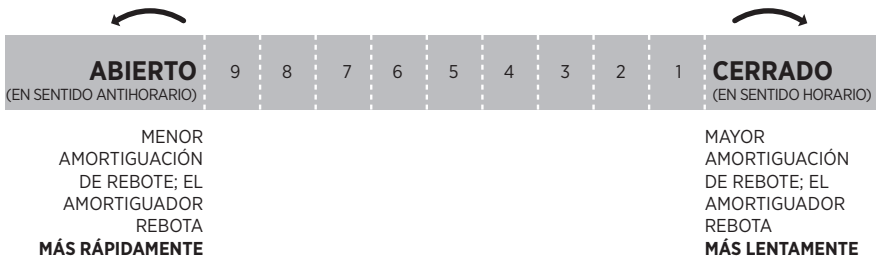
El ajuste de rebote depende del valor de presión de aire. Por ejemplo, unas presiones más elevadas requieren un ajuste de rebote más lento. Utilice su presión de aire como referencia para determinar el valor de rebote que se debe emplear.

**Gire a tope en sentido horario el mando de rebote hasta la posición de cierre. A continuación, gírelo en sentido antihorario hasta el número de clics indicado en la tabla siguiente.**



El **rebote** controla la velocidad a la que el amortiguador se extiende después de haberse comprimido.

Presión de aire (psi/bar)	Ajuste de rebote inicial
<100 / <6,9	10
100-120 / 6,9-8,3	10
120-140 / 8,3-9,7	9
140-160 / 9,7-11	8
160-180 / 11-12,4	7
180-200 / 12,4-13,8	6
200-220 / 13,8-15,2	5
220-240 / 15,2-16,5	4
240-260 / 16,5-17,9	3
260-280 / 17,9-19,3	2
280-300 / 19,3-20,7	1



## **INSTALACIÓN DEL CONTROL REMOTO**

### **AMORTIGUADORES TRASEROS**

El control remoto puede instalarse por debajo del manillar en el lado no motriz, que es el lugar donde suelen ir las palancas de cambio delanteras, o bien por encima del manillar, en el lado motriz. El control remoto se utiliza con dos cables para controlar a la vez tanto la horquilla como el amortiguador.

1. Lleve la funda del cable desde la palanca de control remoto hasta el tope de cable del amortiguador trasero, y recórtelo a la longitud adecuada. Instale férulas en ambos extremos.
2. Ponga la palanca de control remoto en modo ABIERTO presionando la palanca de liberación. Asegúrese de que el extremo del cable quede asentado completamente en la palanca de control remoto.
3. Use un trozo corto de funda con una férula entre el tambor de ajuste insertado en línea y el cuerpo de la palanca del control remoto.
4. Con todas las fundas de los cables totalmente asentadas y sin ninguna holgura en el sistema, engrase ligeramente el cable interior y enrósquelo atravesando la funda del cable y el pequeño orificio de la polea azul del control remoto. No gire el tornillo prisionero embutido que sujeta la polea azul del control remoto al amortiguador. El tornillo de fijación del cable está situado en la parte que sobresale de la polea azul del control remoto.
5. Manteniendo tirante el cable, apriete el tornillo de fijación, recorte el cable sobrante y engaste el extremo.

### **OPCIONES DE AJUSTE ADICIONALES**

#### **ESPACIADORES DE VOLUMEN**

La sustitución de los espaciadores de volumen del amortiguador es un ajuste interno que permite variar el grado de resistencia a media carrera y a fondo.

Si, a pesar de haber ajustado correctamente el hundimiento, se utiliza todo el recorrido con demasiada facilidad, puede instalar un espaciador más grande para aumentar la resistencia de alcance del fondo.

Si ha ajustado el hundimiento correctamente y no utiliza todo el recorrido, puede instalar un espaciador más pequeño para reducir la resistencia de alcance del fondo.

El procedimiento de instalación y las opciones de ajuste están disponibles en línea en [ridefox.com/ownersmanuals](http://ridefox.com/ownersmanuals).



## MANTENIMIENTO

Una limpieza adecuada de su producto FOX después de cada uso, unida a un mantenimiento periódico a intervalos preestablecidos, contribuirá a reducir los costes de reparación y a prolongar la vida útil del producto.

Para obtener más información sobre los procedimientos de reparación y mantenimiento, visite [www.ridefox.com/OwnersManuals](http://www.ridefox.com/OwnersManuals), o bien contacte con FOX si necesita una revisión integral (1.800.369.7469 o [mtbservice@ridefox.com](mailto:mtbservice@ridefox.com)).

Revisiones mínimas recomendadas	Cada vez que vaya a utilizar la bicicleta	Después de cada uso de la bicicleta	Periódicamente	Cada 125 horas de uso, o una vez al año (lo que antes suceda)*
Inspeccione todo el exterior de la horquilla o amortiguador. La horquilla o amortiguador no debería utilizarse si presenta algún daño visible en alguna de sus partes exteriores. Le recomendamos que contacte con su concesionario local o con FOX para su reparación.	X			
Limpie el exterior utilizando exclusivamente agua y un jabón no abrasivo y, a continuación, séquelo con un paño suave. No utilice máquinas de lavado a alta presión ni rocíe agua directamente sobre las uniones entre la junta y el cuerpo del amortiguador.		X		
Compruebe los ajustes de amortiguación y precarga de la suspensión. Inspeccione los controles para verificar si funcionan correctamente y si presentan algún daño apreciable a simple vista.			X	
Revisión completa (revisión integral interior y exterior, reensamblaje del amortiguador, sustitución de las juntas de aire en el caso de los amortiguadores neumáticos, reensamblaje del amortiguador neumático, sustitución del baño de aceite y de los guardapolvos).				X

\* Para los ciclistas que realizan descenso de pendientes con ascenso por elevador (DH), Park (ciclismo acrobático en pistas urbanas de skateboard) o Freeride extremo, o que circulan bajo condiciones ambientales extremadamente húmedas o embarradas, o muy secas y polvorientas, en las que la gravilla del camino se proyecta contra la horquilla al recorrerlo, FOX recomienda realizar las tareas de mantenimiento anteriormente descritas con una frecuencia mayor de la indicada, si fuera necesario. Si escucha, ve o nota algo inusual, deje de montar inmediatamente y contacte con un servicio técnico autorizado de FOX para que revisen adecuadamente el producto.

## MÁS INFORMACIÓN Y VÍDEOS EN:

[ridefox.com](http://ridefox.com)

FOX cubre sus productos de suspensión con la siguiente GARANTÍA LIMITADA:

#### GARANTÍA LIMITADA DE FOX

#### GARANTÍA LIMITADA POR UN (1) AÑO DE LOS PRODUCTOS DE SUSPENSIÓN

Conforme a las limitaciones, términos y condiciones aquí descritos, FOX garantiza al propietario original que adquiera cada producto de suspensión FOX nuevo, que dicho producto de suspensión FOX llega de fábrica sin ningún defecto de materiales ni de mano de obra. Esta garantía caduca en un plazo de un (1) año desde la fecha original de compra del producto de suspensión FOX a un concesionario autorizado FOX o a un integrador (Original Equipment Manufacturer) autorizado por FOX, en caso de que la suspensión FOX venga incluida de serie en un vehículo adquirido por el cliente.

#### CONDICIONES DE GARANTÍA

Esta garantía está condicionada a que el producto de suspensión FOX sea utilizado en condiciones normales y con un mantenimiento adecuado conforme a las especificaciones indicadas por FOX. La presente garantía se aplica exclusivamente a las suspensiones FOX adquiridas como producto nuevo a un proveedor autorizado por FOX, y cubre únicamente al propietario que adquirió originalmente en el comercio el producto de suspensión FOX nuevo, pero no es transferible a posteriores propietarios.

Si se determinase, a criterio exclusivo y concluyente de FOX, que un producto de suspensión FOX está cubierto por esta garantía, se procederá a su reparación o sustitución por un modelo comparable, a elección exclusiva de FOX, que será definitiva y vinculante. ESTE SERÁ EL ÚNICO RESARCIMIENTO PREVISTO AL AMPARO DE ESTA GARANTÍA LIMITADA. QUEDAN EXCLUIDOS EXPRESAMENTE CUALESQUIERA OTROS RESARCIMIENTOS O COMPENSACIONES POR DAÑOS Y PERJUICIOS QUE PUDIERAN SER DE APLICACIÓN, LO QUE INCLUYE, A TÍTULO MERAMENTE ENUMERATIVO Y NO LIMITATIVO, LOS DAÑOS EMERGENTES O INDIRECTOS Y LOS DAÑOS PUNITIVOS.

La presente garantía limitada no cubre el desgaste y deterioro normales por el uso, ni los fallos o averías provocados por un uso indebido o negligente, un montaje incorrecto, la alteración o modificación, reparaciones u operaciones de mantenimiento inadecuadas o no autorizadas, accidentes, impactos o colisiones, o cualquier otra utilización anormal, excesiva o inapropiada.

Esta garantía limitada confiere derechos legales específicos al cliente. El cliente puede estar amparado también por otros derechos legales otorgados por la legislación aplicable en su país, a los cuales no afecta esta garantía limitada. Si un tribunal competente determinase que alguna de las cláusulas de esta garantía limitada no es aplicable, ello no afectará a las restantes cláusulas, que permanecerán plenamente vigentes.

ESTA ES LA ÚNICA GARANTÍA CON LA QUE FOX CUBRE SUS PRODUCTOS Y COMPONENTES DE SUSPENSIÓN, SIN QUE EXISTA NINGUNA OTRA GARANTÍA MÁS ALLÁ DE LA AQUÍ DESCRITA. QUEDA EXCLUIDA CUALQUIER OTRA GARANTÍA IMPLÍCITA QUE PUDIERA CONSIDERARSE POR LEY, INCLUIDAS, A TÍTULO MERAMENTE ENUMERATIVO Y NO LIMITATIVO, LAS GARANTÍAS IMPLÍCITAS DE COMERCIABILIDAD O DE IDONEIDAD PARA UNA FINALIDAD CONCRETA.

Esta garantía limitada se regirá exclusivamente por la legislación del Estado de California.

Si tiene dudas sobre esta garantía o los productos FOX, póngase en contacto con el departamento de atención al cliente de FOX en EE. UU. llamando al 1-800-369-7469 o visitando [www.FOX.com](http://www.FOX.com).

Si presenta una reclamación conforme a esta garantía limitada, se le pedirá que lleve a un centro de servicio técnico autorizado de FOX:

1. El producto (o la pieza afectada).
  2. Una copia del recibo de compra original que indique claramente el nombre y la dirección del vendedor, la fecha y el lugar de compra, el número de referencia del producto y, si se utiliza, un número de serie.
- Si los productos FOX se venden como parte de una bicicleta completa, debe incluirse la marca de la bicicleta, el modelo, el año del modelo y el número de serie.

## PARABÉNS!

Obrigado por escolher um produto de suspensão FOX para a sua bicicleta. Os produtos de suspensão FOX são projectados e testados pelos melhores profissionais da indústria, em Santa Cruz County, Califórnia, EUA.

Siga as diretrizes e instruções fornecidas neste guia do proprietário, de maneira que seja capaz de instalar, usar e manter adequadamente o seu novo produto FOX.

Mais informações e vídeos estão disponíveis em <http://www.ridefox.com/OwnersManuals>, ou telefone para a FOX US em 1.800.369.7469, email [mtbservice@ridefox.com](mailto:mtbservice@ridefox.com), ou contacte um Centro de Serviço Internacional Autorizado da FOX em <http://www.ridefox.com/GlobalDistributors>. Se não tiver acesso à internet, contacte a FOX para encomendar uma cópia impressa em papel do manual do proprietário da FOX que está online, para o seu produto, gratuitamente.

## AVISO E INFORMAÇÕES DE SEGURANÇA

Os produtos FOX deverão ser instalados por um técnico profissional de manutenção de bicicletas, de acordo com as especificações de instalação da FOX. Os garfos instalados incorretamente podem falhar, fazendo com que o ciclista perca o controlo e resultando em FERIMENTOS GRAVES OU MORTE.

A modificação ou alteração de um produto FOX pode provocar a avaria do produto, resultando em FERIMENTOS GRAVES OU MORTE. Nunca modifique nem altere NENHUMA peça de um produto FOX (incluindo molas helicoidais, travessa do braço inferior, coroa, direção, tubos superiores, braços inferiores, caixa do ar, espigão do selim, espaçadores do volume de ar, peças internas, calços de fenda para o eixo, adaptadores de eixo, nem nenhuma outra peça).

Os produtos de suspensão FOX para bicicletas podem também ser usados em velocípedes motorizados assistidos por pedais ou em veículos motorizados que produzem até 250 watts de potência. NÃO use produtos de suspensão FOX para bicicletas em veículos que produzem mais de 250 watts potência.

Os produtos de suspensões FOX E-BIKE OPTIMIZED (que foram otimizados para bicicletas elétricas) podem ser usados em velocípedes motorizados ou em veículos motorizados que produzam entre 250 e 500 watts de potência. NÃO use nenhuns produtos de suspensões FOX para bicicletas em nenhuns velocípedes motorizados assistidos por pedais ou em veículos motorizados que produzam mais de 500 watts de potência.

NÃO use nenhuns produtos de suspensões FOX para bicicletas nem produtos de suspensões FOX E-BIKE OPTIMIZED em nenhuns velocípedes motorizados assistidos por pedais ou em veículos motorizados que produzam mais de 500 watts de potência. NÃO use nenhuns produtos para suspensões de bicicletas FOX em quaisquer veículos motorizados que tenham um acelerador.

O uso incorreto dos produtos de suspensões FOX pode provocar a falha da suspensão, resultando em danos aos bens ou FERIMENTOS GRAVES OU MORTE, e anulam a garantia.

NÃO use produtos para suspensões de bicicletas FOX em quaisquer veículos que transportem mais do que um operador ou ciclista, tais como bicicletas para 2 pessoas (tandem) ou bicicletas comerciais pesadas.

A manutenção incorreta, ou o uso de peças sobressalentes não originais com os garfos e amortecedores FOX pode provocar a avaria do produto, resultando em FERIMENTOS GRAVES OU MORTE.

Nunca use uma lavadora com pressão para lavar o seu produto FOX.

Siga as instruções de instalação do fabricante do seu travão para uma instalação e ajuste corretos do sistema de travões. Se não instalar e ajustar adequadamente os seus travões, pode provocar a perda de controlo da bicicleta, resultando em FERIMENTOS GRAVES OU MORTE.

A modificação ou alteração do seu quadro de uma maneira que vá afetar o amortecedor traseiro poderá causar a falha do produto, resultando em GRAVES FERIMENTOS OU MORTE. Nunca modifique nem altere QUALQUER parte dos componentes do seu quadro OEM (conforme vem do Fabricante Original do Equipamento) que atuem no amortecedor traseiro (incluindo forquilhas, componentes de montagem dos suportes ou dobradiças das articulações).

O uso de peças do quadro alternativas, do mercado de pós-venda, que afetem o amortecedor traseiro (que não tenham sido testadas e aprovadas pelo Fabricante Original do Equipamento) poderão causar a avaria do produto, resultando em GRAVES FERIMENTOS OU MORTE.

O seu garfo ou amortecedor podem falhar em situações que causem que dobre e/ou parta qualquer peça do garfo ou do amortecedor. Qualquer situação que cause perda de ar e/ou óleo, tal como colisão ou períodos prolongados sem usar, podem causar a avaria do seu garfo ou amortecedor. Um garfo ou amortecedor danificado e/ou com uma fuga pode falhar, resultando em acidente e FERIMENTOS GRAVES OU MORTE. Se suspeitar que o seu garfo ou amortecedor foi danificado, deixe de guiar imediatamente e contacte a FOX para uma inspeção ou reparação.

Nunca tente abrir, desmontar nem reparar um amortecedor FOX que esteja "encravado". O estado de "encolhido" ("stuck down") resulta da falha do vedante dinâmico de ar (localizado entre a câmara de ar positiva e a negativa dentro da manga de choque de ar não-EVOL), resultando em que a câmara negativa retenha uma pressão mais alta do que a câmara positiva. Para testar se o amortecedor está de facto "encravado" desta maneira:

- Retire a tampa do ar e carregue na válvula Schrader, para libertar completamente a pressão do ar da câmara positiva do amortecedor.
- Se o corpo do amortecedor se retrair para dentro da manga de ar próximo do fim de curso depois de o ar ser libertado da câmara positiva, ligue uma bomba de ar FOX de alta pressão e leve o amortecedor à pressão de 1724 kPa (250 psi) (17 bar).
- Se o amortecedor não se estender completamente, é porque está no estado de "encravado".
- Qualquer tentativa de reparar amortecedores pneumáticos FOX no estado "encravado" pode levar a FERIMENTOS GRAVES OU MORTE. Contacte a FOX ou um Centro de Assistência Autorizado para uma reparação.

## INSTALAÇÃO DO AMORTECEDOR TRASEIRO

### AVISO

A regulação e configuração do amortecedor traseiro variam muito conforme os diferentes fabricantes de bicicletas. Assegure-se de que consulta o manual do proprietário para a sua bicicleta. Os produtos FOX deverão ser instalados por um técnico profissional de manutenção de bicicletas, de acordo com as especificações de instalação da FOX. Os garfos instalados incorretamente podem falhar, fazendo com que o ciclista perca o controlo e resultando em FERIMENTOS GRAVES OU MORTE.

Se estiver a instalar o seu amortecedor numa bicicleta para a qual o amortecedor não foi fornecido como equipamento original, siga os passos abaixo para assegurar espaço livre apropriado antes de andar na bicicleta.

### AMORTECEDORES PNEUMÁTICOS

1. Instale o amortecedor no seu quadro de acordo com as instruções do fabricante do quadro.
2. Retire a tampa do ar, prenda uma bomba para amortecedores e deixe sair LENTAMENTE todo o ar de câmara pneumática principal.
3. Devagar comprima a suspensão através do seu curso completo.
4. Verifique que NENHUMA parte do seu amortecedor entre em contacto com qualquer zona do seu quadro ou peças de ligação, conforme o move ao longo de todo o seu curso.
5. Ajuste a retração de acordo com as instruções online em [www.ridefox.com](http://www.ridefox.com).

### A mínima pressão de ar é:

345 kPa (3,45 bar) (50 psi) para todos os amortecedores pneumáticos.

Pressão medida à temperatura ambiente de 21 a 24 °C (70-75 °F). A gama de temperaturas normais de funcionamento para produtos FOX é de -7 a 60 °C (20-140 °F).

### REGULAÇÃO DA RETRAÇÃO

Para obter o melhor desempenho da sua suspensão FOX, regule a pressão do ar para conseguir a sua retração preferida. A retração é quanto a sua suspensão se comprime sob o seu peso e o do seu material. A retração deverá ser regulada para 25 – 30% do total do curso do amortecedor.

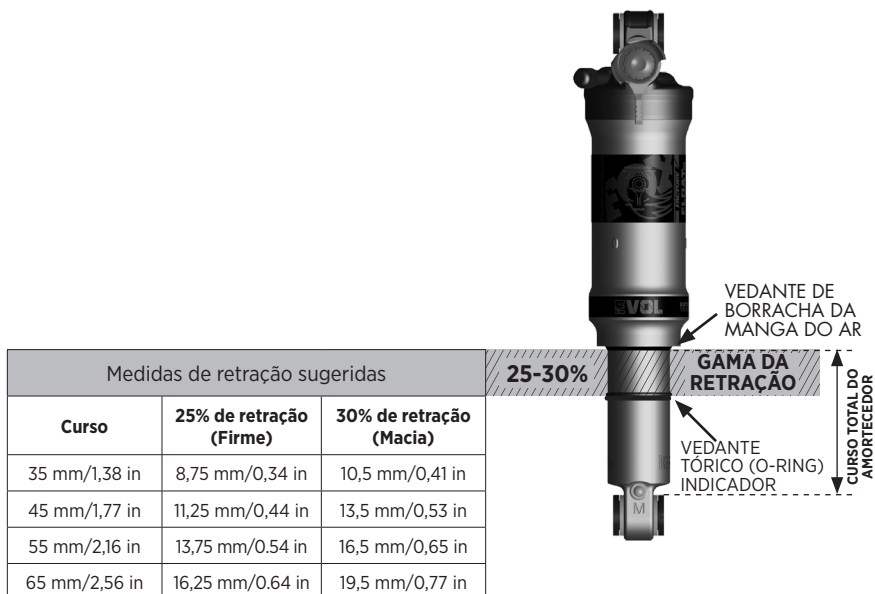
Observe o vídeo da regulação da retração em [ridefox.com/sagsetup](http://ridefox.com/sagsetup).

1. Rode o regulador da compressão completamente no sentido contrário ao dos ponteiros do relógio e ponha a alavanca de 2 posições no modo Aberto (Open) se ela estiver presente.
2. Comece por fixar a pressão de ar do amortecedor (em bar) para que seja igual a 15% do seu peso em quilos. Com a bomba de ar presa à válvula do amortecedor, faça um ciclo lento do seu amortecedor ao longo de 25% do seu curso 10 vezes, conforme alcança a pressão que deseja. Isto irá igualar as câmaras de ar positiva e negativa e mudará a pressão no mostrador da bomba.

### AVISO

Não exceda a pressão máxima do ar: Os amortecedores pneumáticos FLOAT têm uma pressão de ar máxima de 2413 kPa / 24,13 bar / 350 psi.

3. Retire a bomba.
4. Sente-se quieto na bicicleta na sua posição normal de condução, usando uma parede ou uma árvore para se segurar.
5. Puxe o vedante tórico (o-ring) do indicador de retração para cima contra o vedante de borracha da manga/tubo do ar.
6. Desmonte cuidadosamente da bicicleta sem dar um solavanco.
7. Meça a distância entre o vedante tórico (o-ring) do indicador de retração e o vedante de borracha da manga/tubo do ar. Compare a sua medição com a tabela 'Medidas Sugeridas para a Retração'.
8. Acrescente ou retire pressão de ar até atingir a sua medida de retração desejada.



## EVOL AIR SLEEVE

A EVOL vem instalada de fábrica nos amortecedores FLOAT.

## MANGA/TUBO DE AR EVOL

### ADICIONAR PRESSÃO DE AR

Deverá igualar as câmaras de ar positiva e negativa comprimindo lentamente o amortecedor ao longo de 25% do seu curso 10-20 vezes, depois de ter acrescentado 345 kPa (3,45 bar) (50 psi) de cada vez.

Se não igualar as câmaras, poderá ter maior pressão na câmara de ar positiva do que na câmara negativa. Se sentir que o amortecedor está muito firme, e está na posição do fim de curso alto, comprima o amortecedor até ouvir ou sentir uma transferência de ar. Mantenha o amortecedor nesta posição comprimida durante alguns segundos.

### LIBERTAR PRESSÃO DE AR

Liberte o ar lentamente de modo que o ar da câmara negativa também possa ser libertado através da válvula Schrader.

Libertar a pressão do ar demasiado depressa pode fazer com que a câmara negativa fique com mais pressão do que a câmara positiva. Se o amortecedor for comprimido ao longo do seu curso e não se estender completamente, acrescente pressão de ar até que o amortecedor se estenda, e depois comprima lentamente o amortecedor ao longo de 25% do seu curso 10-20 vezes.

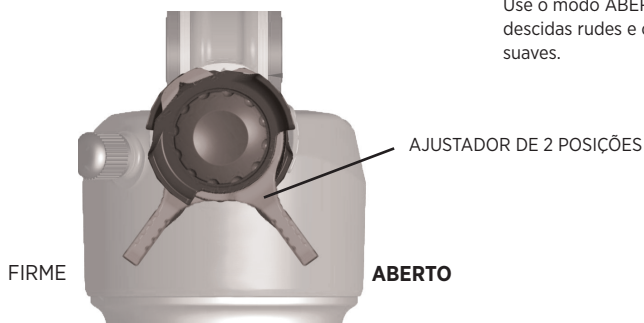
## REGULAÇÕES DA COMPRESSÃO

### ALAVANCA DE 2 POSIÇÕES

Comece com a alavanca de 2 posições no modo ABERTO (OPEN).

A **alavanca de 2 posições** é útil para fazer ajustes rápidos para controlar o desempenho do amortecedor submetido a alterações fortes do terreno, e a intenção é fazer ajustes ao longo do passeio de bicicleta.

Use o modo ABERTO (OPEN) durante descidas rudes e o modo FIRME para subidas suaves.



### AJUSTE EM MODO ABERTO

Regule o modo de ajuste para a configuração 1.

O **ajuste em modo Aberto** é útil para controlar o desempenho do amortecedor quando submetido a movimentos do peso do ciclista, a acelerações e a outros esforços lentos.

O ajuste em modo Aberto fornece 3 ajustes adicionais de regulação fina para o modo ABERTO.

Levante o regulador de modo aberto, rode-o para a posição 1, 2 ou 3, e carregue nele para fixar a posição.

Recomenda-se fazer estas regulações com a alavanca de 3 posições no modo Médio ou Firme.

A configuração 1 terá ma sensação mais macia e a configuração 3 terá uma sensação mais firme.

\*Amortecedores das Séries de Fábrica e Séries Performance Elite apenas



## REGULAR A RECUPERAÇÃO

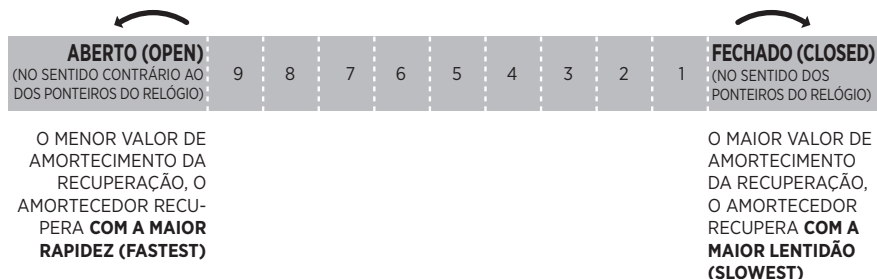
A regulação de recuperação está dependente da configuração da pressão do ar. Por exemplo, pressões de ar mais altas exigem configurações mais lentas de recuperação. Use a sua pressão do ar para determinar a sua configuração de recuperação.

**Rode o seu botão de recuperação para a posição de fechado (totalmente no sentido dos ponteiros do relógio) até ele parar. Então faça-o retroceder (rode-o no sentido contrário ao dos ponteiros do relógio) para o número de estalidos (cliques) indicados na tabela abaixo.**



A **recuperação** controla a velocidade com que o garfo se alonga depois de se ter comprimido.

Pressão do ar (psi/bar)	Configuração inicial para a recuperação
<100 / <6,9	10
100-120 / 6,9-8,3	10
120-140 / 8,3-9,7	9
140-160 / 9,7-11	8
160-180 / 11-12,4	7
180-200 / 12,4-13,8	6
200-220 / 13,8-15,2	5
220-240 / 15,2-16,5	4
240-260 / 16,5-17,9	3
260-280 / 17,9-19,3	2
280-300 / 19,3-20,7	1



## **INSTALAÇÃO DO CONTROLO REMOTO**

### **AMORTECEDORES TRASEIROS**

O controlo remoto pode ser instalado quer por baixo do guiador do lado sem cremalheiras, onde normalmente seria colocado um manípulo de mudanças da frente, quer instalado por cima do guiador do lado com cremalheiras. O controlo remoto pode ser usado com dois cabos para controlar o garfo e o amortecedor simultaneamente.

1. Encaminhe a bainha do cabo desde a alavanca do remoto até ao batente do cabo no amortecedor traseiro, e corte ao comprimento adequado. Instale virolas em ambas as extremidades.
2. Ajuste a alavanca do remoto para o modo ABERTO, empurrando a alavanca de desprendimento. Certifique-se que o terminal do cabo esteja completamente assente na alavanca do remoto.
3. Use um curto pedaço de bainha com uma virola entre o rolo afinador em linha e o corpo da alavanca do remoto.
4. Com toda a bainha do cabo completamente assente e sem folga no sistema, lubrifique ligeiramente o cabo interior e enfie-o através da bainha do cabo e pelo pequeno orifício na polia (roldana) azul do remoto. Não rode o parafuso de fixação montado à face, que prende a polia azul do remoto ao amortecedor! O perno que aperta (em pinça) o cabo está localizado na parte saliente da polia azul do remoto.
5. Enquanto segura esticado o cabo, aperte o perno que o aperta (em pinça), corte o excesso de cabo e engaste (esmague) a extremidade.

## **OPÇÕES DE REGULAÇÃO ADICIONAIS**

### **ESPAÇADORES DE VOLUME**

Substituir os espaçadores de volume no amortecedor é um ajuste interno que lhe permite mudar a quantidade de resistência de médio curso e de fim de curso no fundo.

Se regulou a sua retração corretamente e está a usar o curso completo (bater no fundo) com demasiada facilidade, então poderá instalar um espaçador maior para aumentar a resistência ao bater no fundo.

Se regulou a sua retração corretamente e não está a usar o curso completo, então poderá instalar um espaçador mais pequeno para diminuir a resistência ao bater no fundo.

O procedimento de instalação e as opções de afinação estão disponíveis online em: [ridefox.com/ownersmanuals](http://ridefox.com/ownersmanuals).



## MANUTENÇÃO

A limpeza correcta do seu produto FOX entre passeios, além do serviço de manutenção agendado a intervalos regulares, irá ajudar a reduzir os custos de reparação e prolongar a vida do produto.

Para obter mais informações sobre procedimentos de manutenção, visite

[www.ridefox.com/OwnersManuals](http://www.ridefox.com/OwnersManuals), ou contacte a FOX para um serviço de manutenção completo (1.800.369.7469 ou [mtbservice@ridefox.com](mailto:mtbservice@ridefox.com)).

Itens mínimos recomendados para manutenção	Antes de andar de bicicleta	Depois de andar de bicicleta	Regularmente	Cada 125 horas ou anualmente, ou o que ocorrer primeiro*
Inspeccione todo o exterior do seu garfo/amortecedor. O amortecedor não deverá ser usado se qualquer das peças exteriores parecer estar danificada. Contacte o seu concessionário local ou a FOX para reparações.	X			
Lave o exterior apenas com sabão suave e água, e depois limpe com uma toalha macia para secar. Não use um dispositivo de lavagem a alta pressão nem borriفة água directamente no vedante/junção do corpo do amortecedor.		X		
Verifique as regulações de amortecimento e de retração (sag). Inspeccione os controlos para detetar danos visuais e função.			X	
Manutenção completa (inspeção completa interna/externa, reconstrução do amortecedor, substituição do vedante de ar para amortecedores pneumáticos, reconstrução da mola pneumática, substituição do óleo de banho e do raspador).				X

\*Para os que conduzem lift-accessed DH, Park ou Extreme Freeride ou em condições ambientais extremas de molhado/lamacento ou seco/poeirento, em que sejam atirados detritos do trilho contra o amortecedor no trilho, a FOX aconselha os ciclistas a efectuar manutenção mais cedo do que se recomenda acima, conforme seja necessário. Se ouvir, vir ou sentir alguma coisa fora do normal, pare imediatamente a bicicleta e contacte um Centro Autorizado de Serviço da FOX para obter manutenção apropriada.

## VEJA INFORMAÇÕES E VÍDEOS ADICIONAIS:

[ridefox.com](http://ridefox.com)

A FOX dá a seguinte GARANTIA LIMITADA relativa aos seus produtos de suspensão:

#### GARANTIA LIMITADA FOX

#### GARANTIA LIMITADA DE UM (1) ANO EM PRODUTOS DE SUSPENSÃO

Sujeito às limitações, termos e condições aqui indicadas, a FOX garante, ao proprietário original a retalho (o consumidor) de cada produto de suspensão novo FOX, que o produto de suspensão FOX, quando novo, está livre de defeitos em materiais e de mão de obra. Esta garantia limitada expira após um (1) ano desde a data da compra a retalho do produto de suspensão FOX original, de um concessionário autorizado FOX ou de um Fabricante Original de Equipamento autorizado FOX, onde a suspensão FOX é incluída como equipamento original num veículo comprado.

#### TERMOS DA GARANTIA

Esta garantia limitada está condicionada a que o produto de suspensão FOX seja operado sob condições normais e apropriadamente mantido conforme especificado pela FOX. Esta garantia limitada só é aplicável a suspensões FOX compradas novas de uma fonte autorizada FOX, e é concedida apenas ao proprietário original a retalho (o consumidor) do produto de suspensão FOX novo, e não é transferível a proprietários subsequentes.

Se for determinado, pela FOX à sua única e final discricção, que um produto de suspensão FOX está coberto por esta garantia limitada, ele será reparado ou substituído, por um modelo comparável, à exclusiva opção da FOX, que será conclusiva e vinculante. ESTE É O REMÉDIO EXCLUSIVO SOB ESTA GARANTIA LIMITADA. TODOS E QUAISQUER OUTROS REMÉDIOS E COMPENSAÇÃO POR DANOS QUE POSSAM DE OUTRO MODO SER APLICÁVEIS AO ABRIGO DESTA GARANTIA LIMITADA SÃO EXCLUÍDOS, INCLUINDO, MAS SEM SE LIMITAR A, COMPENSAÇÃO POR DANOS ACIDENTAIS OU CONSEQUENCIAIS OU COMPENSAÇÃO PUNITIVA.

Esta garantia limitada não se aplica a desgaste e deterioração normais, avarias ou falhas que resultem de abuso, negligência, montagem incorreta, alterações ou modificações, reparações ou manutenção incorretas ou não autorizadas, choques, acidentes ou colisão, ou outro uso anormal, excessivo ou indevido.

Esta garantia limitada dá ao consumidor direitos legais específicos. O consumidor poderá também ter outros direitos legais ao abrigo das leis nacionais aplicáveis que não são afetados por esta garantia limitada. Se for determinado por um tribunal com jurisdição competente que uma certa provisão desta garantia limitada não se aplica, tal determinação não deverá afetar quaisquer outras disposições desta garantia limitada, e todas as outras disposições deverão permanecer em efeito.

ESTA É A ÚNICA GARANTIA DADA PELA FOX PARA OS SEUS PRODUTOS E COMPONENTES DE SUSPENSÕES, E NÃO HÁ GARANTIAS QUE SE ESTENDAM PARA ALÉM DA DESCRIÇÃO AQUI FEITA. QUAISQUER GARANTIAS QUE POSSAM DE OUTRO MODO SER IMPLÍCITAS POR LEI INCLUINDO, MAS SEM SE LIMITAR A, QUALQUER IMPLÍCITA GARANTIA DE COMERCIALIDADE OU ADEQUAÇÃO PARA UM PROPÓSITO EM PARTICULAR SÃO EXCLUÍDAS.

Esta garantia limitada será governada exclusivamente pelas leis do Estado da Califórnia.

Para perguntas relativas a esta garantia ou aos produtos FOX, por favor contacte o Departamento de Atendimento ao Cliente da FOX, telefonando para 1-800-369-7469 ou visite [www.FOX.com](http://www.FOX.com).

Quando fizer uma reclamação ao abrigo desta Garantia Limitada, ser-lhe-á solicitado que forneça a um Centro de Serviço de Assistência autorizado da FOX:

1. O Produto (ou a peça afetada) e
2. Uma cópia da prova original de compra, que indique claramente o nome e endereço do vendedor, a data e local da compra, o número de peça do produto e, se for utilizado, um número de série. Se os produtos FOX forem vendidos como parte de uma bicicleta completa, a marca, modelo e ano do modelo da bicicleta e o seu número de série deverão ser incluídos.

## 恭喜您!

感谢您为自己的自行车选择 FOX 避震产品。FOX 避震产品由美国加州圣克鲁兹县业界最好的专家设计并测试。

请按照本用户手册中提供的指引和说明正确地安装、使用和保养您的新 FOX 产品。

欲知更多信息和视频指引,请访问网站 <http://www.ridefox.com/OwnersManuals>, 或致电 1.800.369.7469 联系 FOX 美国公司, 发送电子邮件至 [mtbservice@ridefox.com](mailto:mtbservice@ridefox.com), 或在 <http://www.ridefox.com/GlobalDistributors> 上联系 FOX 国际授权维修中心。如果您无法访问互联网, 则请联系 FOX, 为您的产品索取在线 FOX 用户手册的免费纸质版。

### 警告和安全信息

FOX 产品应由专业自行车维修技师遵照 FOX 安装规范安装。前叉若安装不当则可能出现故障, 导致骑行者失控并受到严重甚至致命的伤害。

改动或改装 FOX 产品可能使其出现故障, 进而导致人员严重受伤甚至死亡。请勿改动或改装 FOX 产品的任何零部件 (包括卷簧、下管叉桥、叉肩、舵管、上管、下管、空气罐、座杆、气室垫片、内部构件、轴缝垫片、轴适配器或任何其他零部件)。

FOX 自行车避震器产品还可用在动力至多为 250 瓦特的踏板辅助式机动自行车或机动车上。请勿将 FOX 自行车避震器产品用在动力大于 250 瓦特的车辆上。

FOX E-BIKE OPTIMIZED 优化避震器产品可用在动力在 250-500 瓦特之间的机动自行车或机动车上。请勿将任何 FOX 自行车避震器产品用在动力在 500 瓦特以上的任何踏板辅助式机动自行车或机动车上。

请勿将任何 FOX 自行车避震器产品或 FOX E-BIKE OPTIMIZED 优化避震器产品用在动力在 500 瓦特以上的任何踏板辅助式机动自行车或机动车上。请勿将任何 FOX 自行车避震器产品用在任何配有风门的机动车上。

误用 FOX 避震器产品可导致避震器出现故障, 造成财产损失、人员严重伤害甚至死亡, 且无法享受质保。

请勿将 FOX 自行车避震产品用于任何可搭载一名以上操作者或骑行者的车辆上, 如双人自行车或载重型自行车等。

不当维修或在 FOX 前叉和避震器上安装非 FOX 更换件可能导致产品出现故障, 造成人员严重伤害甚至死亡。

切勿使用大功率清洗器清洁 FOX 产品。

请按照刹车厂商的说明正确安装和调节刹车系统。如果未能正确安装和调节刹车, 则可能导致自行车失控, 并造成人员严重伤害甚至死亡。

以一种会影响后避震器的方式改动或改装车架可能会导致产品出现故障, 并导致人员严重伤害甚至死亡。请勿改动或改装任何会致动后避震器的 OEM 车架零部件 (包括车架、支撑底座部件或摇臂连杆)。

如果安装任何会影响后避震器的售后市场车架零件 (未经 OEM 车架厂商测试和批准), 则可能会导致产品出现故障, 造成人员严重伤害甚至死亡。

若出现致使前叉或避震器任何部分产生折弯和/或断裂的情况, 您的前叉或避震器可能出现故障。任何致使漏气和/或漏油的情况, 如撞车事故或长期未用等, 也都可能导致您的前叉和/或避震器出现故障。前叉和/或避震器一旦被损坏和/或出现泄漏, 则可能出现故障, 导致撞击事故和人员严重伤害甚至死亡。如果您怀疑您的前叉或避震器已被损坏, 则请立即停止骑行并联系 FOX 进行检查和维修。

切勿尝试自行拆开、打开、拆解或维修处于“卡住”状态的 FOX 避震器。之所以出现“卡住”状态, 是由于动态空气密封 (位于非 EVOL 避震器空气套筒中的正负气室之间) 出现故障, 导致负气室的压力大于正气室。测试避震器是否真正处于“卡住”状态的方法:

- 卸下空气盖并按压美式嘴阀, 完全释放避震器正气室中的气压。
- 如果正气室的气压释放后避震器体缩入空气套筒并接近底部, 则连接 FOX 高压打气筒, 使避震器的气压保持在 250 psi (17 bar)。
- 如果避震器没有完全伸展, 则避震器处于“卡住”状态。
- 任何尝试维修处于“卡住”状态的 FOX 空气避震器的举措都可能造成严重伤害甚至死亡。联系 FOX 或授权维修中心进行维修。

## 后避震器安装

### 警告

不同自行车厂商的后避震器安装和设置存在很大的差异。请确保参阅您的自行车用户手册。FOX 产品应由专业自行车维修技师遵照 FOX 安装规范安装。安装不当的避震器可能会出故障，导致骑行者失去控制，造成人员严重伤害甚至死亡。

若您安装在自行车上的避震器不是该自行车的原装设备，请遵循下列步骤以确保在骑行前有适当的安全间隙。

### 空气避震器

1. 遵照车架厂商的说明将避震器安装到车架上。
2. 卸下空气盖，连接避震器打气筒，然后缓慢地将主气室内的所有空气释放出来。
3. 缓慢地按压避震器，直至其走完全部行程。
4. 确保避震器在整个行程的过程中均不会接触车架或连杆的任何部分。
5. 根据 [www.ridefox.com](http://www.ridefox.com) 上的说明设置垂度。

### 最低气压为：

所有空气避震器均为 3,5 bar (50 psi)。

压力测量时的环境温度为 70-75°F (约 21°C 至 24°C)。

FOX 产品的正常工作温度范围为 20-140°F (约 -6.6°C 至 60°C)。

### 垂度设置

为取得 FOX 的最佳避震性能，请调整气压以适当设置垂度。垂度是指在您体重和骑行装备重量的作用下避震器的压缩量。垂度范围应设置在避震器总行程的 25-30% 之间。

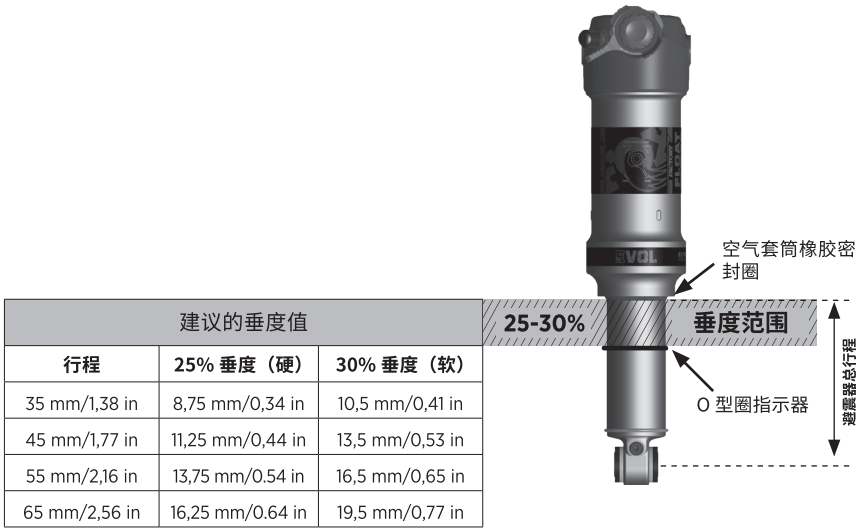
请在 [ridefox.com/sagsetup](http://ridefox.com/sagsetup) 观看垂度设置视频。

1. 将压缩调节旋钮完全逆时针转动，并把 2 位调节杆设置为“开启”模式（如有）。
2. 首先设置避震器气压 (psi)，使之与您的英制体重相匹配。将打气筒连接于避震器阀，达到所需的气压后缓慢地按压避震器 10 次至其行程的 25%。这将平衡正负气室的气压，并将改变打气筒压力计的读数。

### 警告

请勿超过最高气压：FLOAT 空气避震器的最大气压为 24,1 bar (350 psi)。

3. 取下打气筒。
4. 借助墙或树的支撑，以您平时的骑行姿势静坐在自行车上。
5. 向上拉动垂度 O 型圈指示器，使之触抵空气套筒橡胶密封圈。
6. 小心地下车（请勿跳下车）。
7. 测量垂度 O 型圈指示器与空气套筒橡胶密封圈之间的距离。  
将您的测量值与“建议的垂度值”表相对照。
8. 增加或减少气压，直至达到所需的垂度测量值。



## EVOL 空气套筒

FLOAT 避震器出厂时即安装了 EVOL。

### 增加气压

每次加压 50 psi 后缓慢地压缩避震器 10-20 次至其行程的 25%，从而平衡正负气室。

未平衡气室可能导致正气室的压力大于负气室。若避震器感觉很硬并且处于触顶位置，则压缩避震器直至听到或感觉到空气转移。握住避震器，使之保持在此等压缩位置数秒钟。

### 释放气压

缓慢地释放空气，以便负气室的空气也能通过美式嘴阀释放。

过快地释放气压可能导致负气室的压力大于正气室。如果避震器在受按压进入行程后无法完全伸展，则请对避震器加压直至其伸展，然后缓慢地压缩避震器 10-20 次至其行程的 25%。

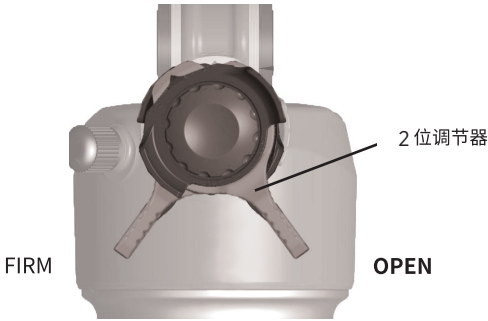
## 压缩调节

### 2- 位旋钮

2- 位旋钮的初始设置应为 OPEN 模式。

**2- 位旋钮**可用于进行骑行中的即时调节，以在地形发生巨大变化时控制避震器的性能，旨在用于在整个骑行中进行调节。

在高低不平路面下坡时使用 OPEN 模式，在平坦路面爬坡时使用 FIRM 模式。



### OPEN 模式调节

把 Open 模式调节设为第 1 档。

**OPEN 模式调节**用于在车手重量转换、G-outs 和缓慢用力期间控制避震器的性能。

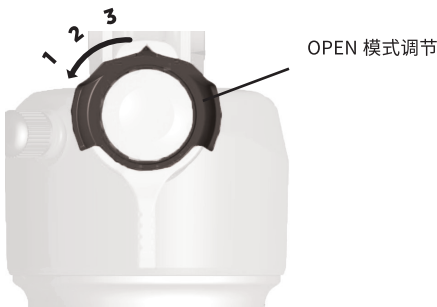
OPEN 模式调节在该模式下提供 3 个更精细的调节档位。

提起 open 模式调节器，旋转至 1、2 或 3 位，然后将其按入以锁定该位。

建议在 3- 位旋钮位于 Medium 或 Firm 模式时进行以上调节。

第 1 档让人有一种较松弛的感觉，而第 3 档则让人有一种较紧固的感觉。

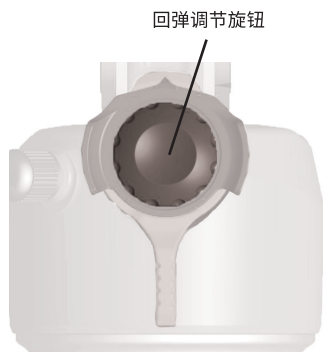
\* 仅限于 Factory 系列和 Performance Elite 系列的避震器



## 回弹调节

回弹调节取决于空气压力的设置。例如，空气压力越高，则要求回弹越慢。根据空气压力确定对应的回弹设置。

顺时针旋转回弹旋钮到关闭位置，直至旋不动。然后逆时针旋转到下表中显示的格数。



回弹能控制避震器在压缩后的伸展速率。

气压 (psi/bar)	开始回弹设置
<100 / <6,9	10
100-120 / 6,9-8,3	10
120-140 / 8,3-9,7	9
140-160 / 9,7-11	8
160-180 / 11-12,4	7
180-200 / 12,4-13,8	6
200-220 / 13,8-15,2	5
220-240 / 15,2-16,5	4
240-260 / 16,5-17,9	3
260-280 / 17,9-19,3	2
280-300 / 19,3-20,7	1



回弹阻力最小；  
避震器回弹**最快**

回弹阻力最大；  
避震器回弹**最慢**

## 线控安装

### 后避震器

线控既可安装在非传动侧车把下方前指拨通常安放的位置，也可安装在传动侧车把上方。线控可使用双线缆，同时控制前叉和避震器。

1. 将线缆从线控旋钮走线至后避震器线管座，然后切割至所需长度。在两端安装金属箍。
2. 推动快脱杆，将线控杆设置到 OPEN 模式。确保线头完全固定在线控旋钮内。
3. 用带一个金属箍的短线管，连接线缆上的筒式调节器和线控杆体。
4. 确保所有线管完全固定，整个系统无松弛，然后轻轻地润滑内部线缆，并将其旋入线管以及蓝色线控滑轮内的小孔。不要旋动使蓝色线控滑轮附着在避震器上的嵌入式定位螺钉！线缆夹紧螺钉位于蓝色线控滑轮的突出部分。
5. 紧握线缆，紧固夹紧螺栓，切除多余的线缆并封好线端。

## 其它调节方式

### 容量垫片

更换避震器中的容量垫片是一项内部调节，能改变中程和触底阻力。

如果您已设定合适的垂度并且很容易达到全程（触底），则您可以安装 1 个较大垫片以增加触底阻力。

如果您已设定合适的垂度并且未达到全程，则您可安装 1 个较小垫片以减少触底阻力。

安装程序和调节方式详见：[ridefox.com/ownersmanuals](http://ridefox.com/ownersmanuals)。



## 保养

除定期保养服务外，在骑行间隙适当清洁您的 FOX 产品有助于节省维修费用并延长产品寿命。

如需进一步了解保养步骤方面的信息，请访问 [www.ridefox.com/OwnersManuals](http://www.ridefox.com/OwnersManuals)，或与 FOX 联系以获取全面的保养服务（1.800.369.7469 或 [mtbservice@ridefox.com](mailto:mtbservice@ridefox.com)）。

建议的基本保养项目	每次骑行前	每次骑行后	定期	每 125 小时骑行或每满一年，以先发生的为准 *
检查前叉 / 避震器的整个外部。若任何外部零部件有损坏迹象，则前叉 / 避震器不能继续使用。请与您当地的经销商或 FOX 联系维修事宜。	X			
仅用温和的肥皂和水清洁外部，并用柔软的毛巾擦干。请勿使用高压清洗器或直接向密封圈 / 避震器身结合处喷水。		X		
检查垂度和阻尼器设置。检查控件是否有可目测的损坏或功能失常。			X	
全面保养（全面内部 / 外部检查、阻尼器重新组装、空气避震器密封圈更换、空气弹簧重新组装、浴油和防尘装置更换）。				X

\* 对于那些进行高山速降骑行、山地车公园骑行、极限自由骑行，或在极度潮湿 / 泥泞或干燥 / 多尘环境中骑行且在路途中有尘土溅喷到避震器上的骑行者，FOX 鼓励其根据实际需要在前述推荐日期前提早进行保养。若您听到、看到或感觉到异常情形，请立即停止骑行并与 FOX 授权维修中心联系以进行适当的保养。

更多信息和视频见：

[ridefox.com](http://ridefox.com)

FOX 对其避震产品提供以下有限质保：

FOX 有限质保

避震产品一 (1) 年有限质保

受限于本质保所含限制、条款与条件，FOX 向每一新的 FOX 避震产品的最初零售购买者（消费者）保证，FOX 新避震产品在材质和工艺上无瑕疵。本质保有效期为 FOX 原避震产品从 FOX 授权经销商或授权原始设备生产商处（FOX 避震产品作为原始设备配在所购车辆上）零售购买之日起一 (1) 年。

质保条款

本有限质保的前提是 FOX 避震产品在正常条件下工作并按照 FOX 的说明适当维护。本有限质保仅适用于从 FOX 授权资源处新购的 FOX 避震产品，仅向 FOX 新避震产品的最初零售购买者（消费者）提供，不得向后续用户转让。

如 FOX 根据其唯一的、最终的自由裁量确定一项 FOX 避震产品在本质保范围内，则该产品将由 FOX 全权选择用相当型号的配件修理或更换，这一选择将是最终的、约束性的。这是本质保项下的排他性救济。本质保项下任何和所有其他可能适用的救济和损害赔偿均在此排除，包括但不限于偶然性或后果性的损害赔偿或惩罚性赔偿。

本有限质保不适用于正常磨损以及因滥用、过失、不当安装、更改或改装、不当或未经授权的修理或保养、撞车、事故或碰撞或其他非正常、过度或不当使用导致的故障或功能失常。

本有限质保给予消费者特定的法定权利。消费者还可能根据适用的全国性法律享有不受本有限质保影响的其他法定权利。如具有管辖权的法院裁定本有限质保的特定条款不适用，则此裁定不应影响本有限质保的任何其他条款，所有其他条款应仍为有效。

这是 FOX 对其避震产品和部件做的唯一保证，在本说明之外无任何其他延伸的保证。法律可能默示的其他保证，包括但不限于关于适销性或特定目的适用性的默示保证，均在此排除。

本有限质保应排他性地使用加利福尼亚州的法律。

如果对本质保或 FOX 产品有任何疑问，请致电 1-800-369-7469 联系 FOX 美国客服部门，或访问 [www.FOX.com](http://www.FOX.com)。

根据本有限质保提出索赔时，您需要向 FOX 授权维修中心出具：

1. 产品（或受影响零部件），及
2. 原始购买凭证的复印件，清楚标明卖方的名称和地址、购买日期和地点、产品零部件号以及序列号（如果使用了的话）。如果 FOX 产品作为完整自行车的一部分出售，则应包括自行车品牌、型号、型号年份和序列号。

# NOTES

---

---

---

---

---

---

---

---

---

---

---

---

---

---

---

---

---

---

---

---

---

---

---



©FOX FACTORY, INC. 2023 // 1.800.FOX.SHOX  
915 DISC DRIVE SCOTTS VALLEY, CA 95066 USA  
TEL: 831.768.1100

605-00-295 REV B